

## BALI S



<b>Kontrol</b>	Dijital
<b>Soğutma</b>	Fan
<b>Poliüretan</b>	42-45 kg / m <sup>3</sup>
<b>Defrost</b>	Otomatik
<b>Elektrik</b>	220-240 V / 1Ph / 50 Hz
<b>İklim Sınıfı</b>	3
<b>Çalışma Sıcaklığı</b>	+2°C/+7°C

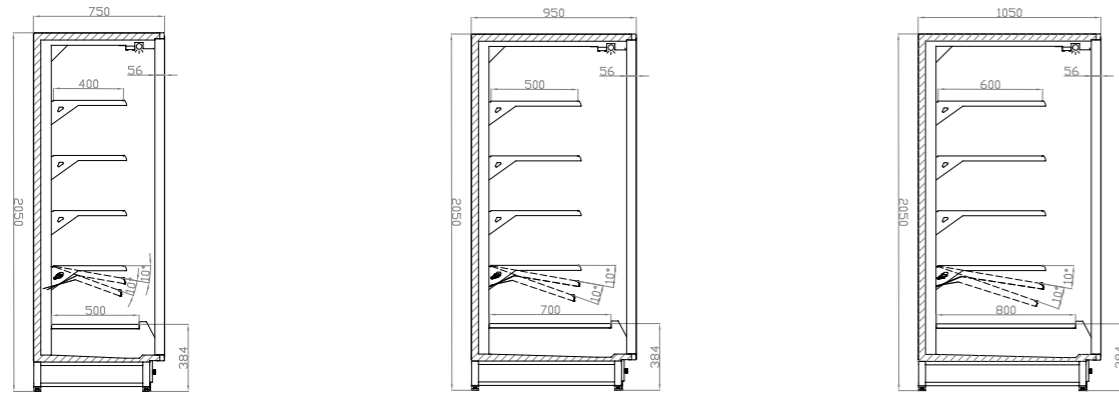
<b>Control</b>	Digital
<b>Cooling</b>	Fan
<b>Polyurethane</b>	42-45 kg / m <sup>3</sup>
<b>Defrost</b>	Automatic
<b>Electricity</b>	220-240 V / 1Ph / 50 Hz
<b>Climate Class</b>	3
<b>Operating Temperature</b>	+2°C/+7°C



Ürünlerimizde RAL renkleri kullanılmaktadır.  
RAL colors are used in our product.



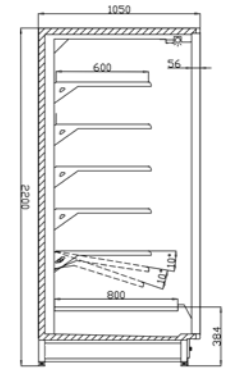
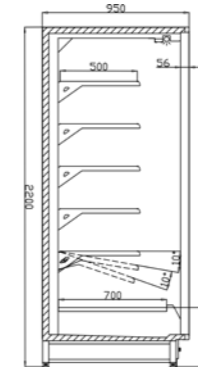
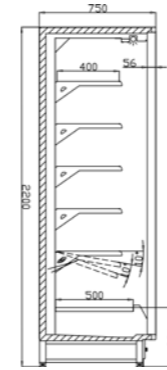
Bu ürünün aksesuarlarıyla ilgili detaylı bilgileri kataloğun 334-335. sayfalarında bulabilirsiniz.  
Detailed information on the accessories of this product can be found on page between 334-335 of the catalog.



4 RAF / 4 SHELVES	KOD / CODE	ÖLÇÜ (mm) / SIZE (mm)	GÜÇ (kW) / POWER (kW)	S. GÜCÜ (W) / C. POWER (W)	T. ALAN (m <sup>2</sup> ) / D. AREA (m <sup>2</sup> )	KAPI DOOR	YAN PANEL SIDE PANEL
	BAL.S.R.4.S.937	937 x 750 x 2050	0,204	717	1,99	2	35+35
	BAL.S.R.4.S.1250	1250 x 750 x 2050	0,224	957	2,65	2	35+35
	BAL.S.R.4.S.1400	1400 x 750 x 2050	0,231	1072	2,97	2	35+35
	BAL.S.R.4.S.1875	1875 x 750 x 2050	0,330	1436	3,98	3	35+35
	BAL.S.R.4.S.2500	2500 x 750 x 2050	0,369	1914	5,30	4	35+35
	BAL.S.R.4.S.2800	2800 x 750 x 2050	0,384	2144	5,94	4	35+35
	BAL.S.R.4.S.3750	3750 x 750 x 2050	0,593	2871	7,95	6	35+35

4 RAF / 4 SHELVES	KOD / CODE	ÖLÇÜ (mm) / SIZE (mm)	GÜÇ (kW) / POWER (kW)	S. GÜCÜ (W) / C. POWER (W)	T. ALAN (m <sup>2</sup> ) / D. AREA (m <sup>2</sup> )	KAPI DOOR	YAN PANEL SIDE PANEL
	BAL.S.R.4.M.937	937 x 950 x 2050	0,204	956	2,55	2	35+35
	BAL.S.R.4.M.1250	1250 x 950 x 2050	0,224	1276	3,40	2	35+35
	BAL.S.R.4.M.1400	1400 x 950 x 2050	0,231	1429	3,81	2	35+35
	BAL.S.R.4.M.1875	1875 x 950 x 2050	0,330	1914	5,10	3	35+35
	BAL.S.R.4.M.2500	2500 x 950 x 2050	0,369	2552	6,80	4	35+35
	BAL.S.R.4.M.2800	2800 x 950 x 2050	0,384	2858	7,62	4	35+35
	BAL.S.R.4.M.3750	3750 x 950 x 2050	0,593	3828	10,20	6	35+35

4 RAF / 4 SHELVES	KOD / CODE	ÖLÇÜ (mm) / SIZE (mm)	GÜÇ (kW) / POWER (kW)	S. GÜCÜ (W) / C. POWER (W)	T. ALAN (m <sup>2</sup> ) / D. AREA (m <sup>2</sup> )	KAPI DOOR	YAN PANEL SIDE PANEL
	BAL.S.R.4.L.937	937 x 1050 x 2050	0,204	956	3,02	2	35+35
	BAL.S.R.4.L.1250	1250 x 1050 x 2050	0,224	1276	4,03	2	35+35
	BAL.S.R.4.L.1400	1400 x 1050 x 2050	0,231	1429	4,51	2	35+35
	BAL.S.R.4.L.1875	1875 x 1050 x 2050	0,330	1914	6,04	3	35+35
	BAL.S.R.4.L.2500	2500 x 1050 x 2050	0,369	2552	8,05	4	35+35
	BAL.S.R.4.L.2800	2800 x 1050 x 2050	0,384	2858	9,02	4	35+35
	BAL.S.R.4.L.3750	3750 x 1050 x 2050	0,593	3828	12,08	6	35+35



5 RAF / 5 SHELVES	KOD / CODE	ÖLÇÜ (mm) / SIZE (mm)	GÜÇ (kW) / POWER (kW)	S. GÜCÜ (W) / C. POWER (W)	T. ALAN (m <sup>2</sup> ) / D. AREA (m <sup>2</sup> )	KAPI DOOR	YAN PANEL SIDE PANEL
	BAL.S.R.5.S.937	937 x 750 x 2200	0,211	717	2,36	2	35+35
	BAL.S.R.5.S.1250	1250 x 750 x 2200	0,231	957	3,15	2	35+35
	BAL.S.R.5.S.1400	1400 x 750 x 2200	0,239	1072	3,53	2	35+35
	BAL.S.R.5.S.1875	1875 x 750 x 2200	0,337	1436	4,73	3	35+35
	BAL.S.R.5.S.2500	2500 x 750 x 2200	0,377	1914	6,30	4	35+35
	BAL.S.R.5.S.2800	2800 x 750 x 2200	0,392	2144	7,06	4	35+35
	BAL.S.R.5.S.3750	3750 x 750 x 2200	0,600	2871	9,45	6	35+35

5 RAF / 5 SHELVES	KOD / CODE	ÖLÇÜ (mm) / SIZE (mm)	GÜÇ (kW) / POWER (kW)	S. GÜCÜ (W) / C. POWER (W)	T. ALAN (m <sup>2</sup> ) / D. AREA (m <sup>2</sup> )	KAPI DOOR	YAN PANEL SIDE PANEL
	BAL.S.R.5.M.937	937 x 950 x 2200	0,211	956	3,02	2	35+35
	BAL.S.R.5.M.1250	1250 x 950 x 2200	0,231	1276	4,03	2	35+35
	BAL.S.R.5.M.1400	1400 x 950 x 2200	0,239	1429	4,51	2	35+35
	BAL.S.R.5.M.1875	1875 x 950 x 2200	0,337	1914	6,04	3	35+35
	BAL.S.R.5.M.2500	2500 x 950 x 2200	0,377	2552	8,05	4	35+35
	BAL.S.R.5.M.2800	2800 x 950 x 2200	0,392	2858	9,02	4	35+35
	BAL.S.R.5.M.3750	3750 x 950 x 2200	0,600	3828	12,08	6	35+35

5 RAF / 5 SHELVES	KOD / CODE	ÖLÇÜ (mm) / SIZE (mm)	GÜÇ (kW) / POWER (kW)	S. GÜCÜ (W) / C. POWER (W)	T. ALAN (m <sup>2</sup> ) / D. AREA (m <sup>2</sup> )	KAPI DOOR	YAN PANEL SIDE PANEL
	BAL.S.R.5.L.937	937 x 1050 x 2200	0,211	956	3,58	2	35+35
	BAL.S.R.5.L.1250	1250 x 1050 x 2200	0,231	1276	4,78	2	35+35
	BAL.S.R.5.L.1400	1400 x 1050 x 2200	0,239	1429	5,35	2	35+35
	BAL.S.R.5.L.1875	1875 x 1050 x 2200	0,337	1914	7,16	3	35+35
	BAL.S.R.5.L.2500	2500 x 1050 x 2200	0,377	2552	9,55	4	35+35
	BAL.S.R.5.L.2800	2800 x 1050 x 2200	0,392	2858	10,70	4	35+35
	BAL.S.R.5.L.3750	3750 x 1050 x 2200	0,600	3828	14,33	6	35+35