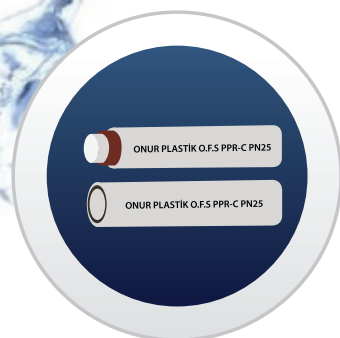


SINCE 1999

# PREMIUM PPR-C PIPE & FITTING SYSTEMS TECHNICAL CATALOG

каталог / كتلوج



# Onur® Plastik O.F.S.



50 YEARS WARRANTY

## ABOUT US



ONUR PLASTIK® has started its business in 1999 and then, as per the rising demands, it decided to start manufacturing pipes and fittings within its own facility. Starting in the middle of the year 2000, ONUR PLASTIK® has continued manufacturing using its own moulds in order to be a significant part of the plumbing sector, standing out from the competitors with its unique product designs. Today the manufacturing continues with a wide range of products, using 175 moulds and 31 different types of materials, where 325 type of products can be produced within its own facilities. ONUR PLASTIK® supply and distributes its manufactured pipes and fittings in the National markets as well as a major quantity to the International markets. ONUR PLASTIK® has its connections in many different countries and exports mainly to the countries spread throughout AFRICA, MIDDLE EAST, EUROPE, LATIN AMERICA, and expanding rapidly. The diversified, experienced and highly skilled team has enabled ONUR PLASTIK® to grow and achieve all the success it has in the business and with them it aims to achieve new heights in the building material sector.

### Our Mission

Our mission is to update the product range and technology to continue being a part of the plastic sector whose technologies are developed constantly. To increase the market share and have a broader range of products that are of superior quality in the near future without compromising our quality policies.

### Our Vision

Our vision is to increase the market share nationally and internationally and to become a worldwide brand amongst the installation devices markets by improving the distributing system, as soon as possible.

حول اونر بلاستيك:

من عراقة الاجداد الى الاحفاد أخذنا بعين الاعتبار التقدم والتكنولوجيا الحديثة للوصول الى ارقى المنتجات التي تضمن الصحة والسلامة والجودة العالمية بخبرات تركية تمتد من الاجداد الى الاحفاد حيث نستخدم ارقى التقنيات العالمية لضمان الحصول على افضل النتائج التي تؤمن الحياه الصحية لابنائنا من خلال تصنيع ال بي بي آر والانابيب

منذ عام 1999 بدأنا بوضع حجر الاساس لمصنع انور بلاستيك فمنذ ذلك الحين ونحن نسعي جاهدين للوصول الى احداث التقنيات فى الانتاج حيث بدأنا بالسوق المحلي وبعد مرور اقل من 3 اعوام انطلقنا الى عدد كبير من دول العالم فمنذ ذلك الحين بدأنا بتصنيع منتجاتنا الخاصة بقوالبنا حيث نوفر اكثر من 175 قالب ومنتج اكثر من 325 نوع و نقوم الان بالتوزيع فى السوق المحلية والسوق الدولية لتصل منتجاتنا الان الى اكثر من 15 دولة على مستوى العالم.

مهمتنا:

الوصول الى ارقى واحداث تقنيات التكنولوجيا العالمية للحصول على اعلي مستوي من الجودة والتميز

رؤية:

نطمح بالوصول بمنتجاتنا الى اسواق عالمية أكبر حيث نتعامل الان مع عدة دول من خلال وكلاء وموزعين معتمدين على مستوى العالم.

## О нас



Onur Plastik образовалась в 1999 году, и выполняла функцию контрактного производителя для крупных фабрик. Затем в 2000-годах, учитывая возрастающий спрос на продукцию, руководство увеличивает производственные мощности до 175 различных прессформ полипропиленовых фитингов и поставляет на рынок ассортимент в 325 полипропиленовых фитингов. На сегодняшний день Onur Plastik сотрудничает с фирмами, как на внутреннем турецком рынке, так и зарубежом. В особенности это арабские страны, Казахстан и Болгария.

### Наша миссия

Одной из основных задач и стратегических козырей нашей компании является строгое соблюдение стандартов и рентабельности производства в условиях постоянного развития технологии пластиковых изделий. В результате детального контроля каждого изделия на выходе, довольно большого количества прессформ полипропиленовых фитингов, Onur Plastik является конкурентоспособным как по количеству, так и по качеству изделий.

### Наше видение

Постоянное развитие обоюдно выгодных отношений с настоящими партнерами и увеличение доли на рынке полипропиленовых труб и фитингов. Дальнейшее развитие системы международных поставок изделий, налаживание контактов с дилерами и повышение имиджа Onur Plastik.

TAŞKİM PLASTİK was established in 2010 by using its own knowledge and experience gained from the production of PPR-C materials, to provide the best quality raw materials for its own production facility and also for all its partners around the world.

TAŞKİM PLASTİK was founded by Mr. Adnan Akay, who is also the founder of ONUR PLASTİK® Pipes and Fittings systems, which is focused on the production of plastic pipes and fittings for TAŞKİM PLASTİK.

TAŞKİM PLASTİK directly delivers the need of the raw materials of its customers by containers and trucks, as well as it has a huge warehouse located in Sefakoy, Istanbul, to ensure the continuous availability and supply of the raw materials and the services.

Our founding principles are all focused on the satisfaction of our customers' needs through all means; providing them complete information of raw materials, technical characteristics, market dynamics, etc. and thus, making strong, reliable and stable co-operation with our partners.

## WHY YOU CHOSE US?

Being one of the well-known firms of the plastic sector, in many countries, ONUR PLASTİK® gives utmost importance to the premium quality and;

- Uses the most appropriate and superior quality raw material.
- Has the most advanced machines and methods of production.
- Produces Pipes and fittings in compliance with Turkish (TSE), Germany (DIN) Standards, etc.
- Pipes and fittings produced can be used not only to carry water but also a wide range of fluids.
- Has qualified technical staff at your service to solve your problems.
- Our name stands for Quality.

## WHY PPR-C SYSTEMS ?

Onur Pipe has got the following advantages:

- Lightweight,
- Easy to carry,
- Easy to install,
- Not dangerous to human life, non toxic, non cancerogeneous,
- Low cost of transportation, loading and unloading,
- Has much longer service life **as compared to other piping systems,**
- Has high resistance against corrosion,
- Can easily be connected to any kind of pipe. Due to low cost of plumbing, it has a wide range of applications,
- Water is one of the most important compounds contributing to human life; **Onur PPR-C Pipes carry this vital Fluid in your households in an easy, and healthy way at the most affordable cost.**

## TECHNICAL PROPERTIES OF PPR-C PIPES AND FITTINGS

- Raw material: Polypropylene Random Copolymer, (TYPE 3)
- Superior physical characteristics at 90 °C,
- High chemical resistance,
- Definite solutions to calcification and corrosion,
- No bacteria and moss reproduction within the pipes,
- Light, easy to install and low labour cost of installation,
- Safe to use various pressurized liquids and gas,
- No reduction in diameter at the welding points,
- Longer service life, (50 years)
- Isolation is not necessary in the buildings,
- Operation Pressure: 20 Bars at 20 °C and 10 Bars at 90 °C,
- Compared to the metal pipes it expands more and linearly,
- Operation temperature is between 70 °C - 90 °C; it does not absorb water. It can easily be used in hot **and humid** environment.
- Can be used in drinking **water systems and has a quality certificate issued by The Ministry of Health and Hygiene-Institute.**

## PHYSICAL & MECHANICAL PROPERTIES OF RAW MATERIAL (PPR-C)

| Property  |                                      | Unit   | Test Method                            | Value                          |
|---|--------------------------------------|--|--|--------------------------------|
| Density at  | +23 °C                               | g/cm <sup>3</sup>                                    | ISO 1183                               | 0,90-0,91                      |
| Melt Flow Index   | MFR 190/5 MFR 230/2,16<br>MFR 230 /5 | g/10 min g/10 min g/10 min                           | ISO 1133 ISO 1183 ISO 1183             | 0,4-0,6<br>0,2-0,5<br>0,8-0,13 |
| Volume Flow Index   | MVR 230/2,16 MVR 230/5               | cm <sup>3</sup> / 10 min cm <sup>3</sup> / 10 min    | ISO 1133 ISO 113                       | 0,4<br>1,75                    |
| Yield Stress  | 50 mm/min                            | MPa  | ISO 527                                | 23-28                          |
| Elongation at Yield   | 50 mm/min                            | %  | ISO 527                                | >10                            |
| Tensile Modulus   | Secant                               | MPa  | ISO 527                                | 850                            |
| Ball Indentation Hardness                                   | 132 N / 30s                          | N/mm <sup>2</sup>                                    | ISO 2039/1                             | 48                             |
| Short Hardness D  | 3 sec value                          |  | DIN 53505                              | 65                             |
| Charpy Impact Strength at                                   | +23 °C 0 °C -30 °C                   | kJ/m <sup>2</sup> KJm <sup>2</sup> kJ/m <sup>2</sup> | ISO 179/1eU ISO 179/1eU<br>ISO 179/1eU | no failure no failure 43       |
| Charpy Notched Impact Strength at                           | +23 °C 0 °C -30 °C                   | kJ/m <sup>2</sup> KJm <sup>2</sup> kJ/m <sup>2</sup> | ISO 179/1eA ISO 179/1eA<br>ISO 179/1eA | 22<br>4<br>2,5                 |
| Vicat Softening Temperature                                 | VST/A50                              | °C   | ISO 306                                | 132                            |
| Heat Deflection Temperature                                 | HDT A HDT B                          | °C °C  | ISO 75/1+2 ISO 75/1+2                  | 49<br>70                       |
| Melting Range   | -                                    | °C   | DSC                                    | 145-150                        |
| Thermal Conductivity  | -                                    | W/mK   | DIN 52612                              | 0,24                           |
| Coefficient of Linear Thermal Expansion (Average, 20-90 °C) | -                                    | 1/K  | DIN 53752                              | 1,5.10 <sup>-4</sup>           |
| Surface Resistance  | -                                    | Ohm  | DIN VDE 0303                           | >10 <sup>14</sup>              |

Table 1

## WELDING INSTRUCTIONS

The quality and the life span of any pipe installation depends equally on both the geometric accuracy and the weldings. Connecting pipes and fittings through melting takes just a few seconds. After a few minutes the welded pipe installation is ready to be installed.

You cut the pipe, heat the fitting with the welding machine and then connect the two parts. That's all Fast, without substantial efforts and with wonderful result.

All welded connections are completely safe because when the polypropilene cools down there's no change in its structure, shape or durability.



# INSTRUCTIONS FOR WELDING PIPES AND FITTINGS

1. Choose the **appropriate detail and put it on the welding machine.**
2. Turn on the welding machine. Wait until the two control indicators are heating. When the device is ready for use the indicator turns off. This means that the necessary temperature has been reached /260°C +/- 10°C /
3. Attach properly the end of the pipe and the fitting to the welding device.
4. If the pipe or the **fitting is dirty, clean it with water and alcohol solution.**
5. Then heat equally for the duration of few seconds both the pipe and the **fitting. Then connect them and leave them** for a few minutes to cool down so that the welding be successful.
6. The necessary heating time, welding time and cool-down time for each corresponding pipe diameter is given in the following table.

| External Pipe Diameter mm | Insert Depths mm | Heating Period Secs | Processing Period Secs | Cooling Period mins |
|---------------------------|------------------|---------------------|------------------------|---------------------|
| 16                        | 13               | 5                   |                        |                     |
| 20                        | 14               | 5                   | 4                      | 2                   |
| 25                        | 15               | 7                   |                        |                     |
| 32                        | 16,5             | 8                   |                        |                     |
| 40                        | 18               | 12                  | 6                      | 4                   |
| 50                        | 20               | 18                  |                        |                     |
| 63                        | 24               | 24                  | 8                      | 6                   |
| 75                        | 26               | 30                  | 10                     | 8                   |

## CERTIFICATES



## Container Information

| 20ft x 8 ft 6 in / 6.1m x 2.4m x 2.6m |         |         |                 |         |                   |
|---------------------------------------|---------|---------|-----------------|---------|-------------------|
| Average Internal Dimensions           |         |         | Door Dimensions |         | Average           |
| L1                                    | B1      | H1      | B2              | H2      | (m <sup>3</sup> ) |
| 5,890mm                               | 2,345mm | 2,400mm | 2,335 mm        | 2,290mm | 33.3              |

Empty container weight is between 1.800 kg and 2,500 kg  
Maximum carrying capacity is between gross 22,860 and 30,480 kg

| 40ft x 8ft x 8ft 6in / 12.2 m x 2.4 m x 2.6m |          |          |                 |          |                   |
|--|----------|----------|-----------------|----------|-------------------|
| Average Internal Dimensions                  |          |          | Door Dimensions |          | Average           |
| L1   | B1       | H1       | B2              | H2       | (m <sup>3</sup> ) |
| 12,015 mm                                    | 2,345 mm | 2,362 mm | 2,335 mm        | 2,260 mm | 66.9              |

Empty container weight is between 3.700 kg and 4.380 kg  
Maximum carrying capacity is gross 30.480 kg

| 40ft x 8ft x 9ft 6in / 12.2 m x 2.4 m x 2.9m |          |          |                 |          |                   |
|--|----------|----------|-----------------|----------|-------------------|
| Average Internal Dimensions                  |          |          | Door Dimensions |          | Average           |
| L1   | B1       | H1       | B2              | H2       | (m <sup>3</sup> ) |
| 12,015 mm                                    | 2,345 mm | 2,690 mm | 2,335 mm        | 2,580 mm | 76.0              |

Empty container weight is 3.980 kg  
Maximum carrying capacity is gross 30.480 kg

| Truck Type | L     | W    | H    | m <sup>3</sup> |
|------------|-------|------|------|----------------|
| Tilt Truck | 13,60 | 2,42 | 2,40 | 79             |
|            | 13,60 | 2,42 | 2,60 | 86             |

| Truck Type  | L    | W    | H    | m <sup>3</sup> |
|-------------|------|------|------|----------------|
| Jumbo Truck | 3,10 | 2,42 | 2,55 | 79             |
|             | 9,10 | 2,42 | 2,75 | 79             |
|             | 3,50 | 2,42 | 2,45 | 83             |
|             | 8,70 | 2,42 | 2,95 | 83             |

| Truck Type                         | L    | W    | H    | m <sup>3</sup> |
|------------------------------------|------|------|------|----------------|
| Normal Truck with Trailer (Optima) | 6,20 | 2,42 | 2,50 | 87             |
|                                    | 8,30 | 2,42 | 2,50 | 87             |

| Vehicle Type              | Gross Capacity      | Gross Loading Capacity Box Type 1 (0,021 m <sup>3</sup> ) | Gross Loading Capacity Box Type 2 (0,032 m <sup>3</sup> ) |
|---------------------------|---------------------|---|---|
| 20 DC                     | 33,3 m <sup>3</sup> | 1585 units  | 1040 units  |
| 40 DC                     | 66,9 m <sup>3</sup> | 3185 units  | 2090 units  |
| 40 HC                     | 76 m <sup>3</sup>   | 3619 units  | 2375 units  |
| Tilt Truck                | 79 m <sup>3</sup>   | 3761 units  | 2468 units  |
| Jumbo Truck               | 80 m <sup>3</sup>   | 3809 units  | 2500 units  |
| Normal Truck with Trailer | 87 m <sup>3</sup>   | 4142 units  | 2718 units  |

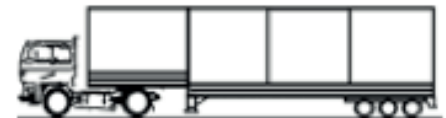
## Standard Container



## 40 Foot Standard Container



## 40 Foot High cube Container



**Onur**<sup>®</sup>  
**Plastik**  
**O.F.S.**



**PREMIUM PPR-C PIPE & FITTING SYSTEMS**





## PPR-C (PN16) BORU / PIPE / ТРУБА

| CODE<br>КОД | SIZE (Ø)<br>РАЗМЕР | 1 BOX QUANTITY<br>ЕД. В 1 КОРОБКЕ | WEIGHT (kg)<br>ВЕС ЗА ЕД. | BOX SIZE (m <sup>3</sup> )<br>РАЗМЕР КОРОБ. |
|-------------|--------------------|-----------------------------------|---------------------------|---|
| 4419720     | Ø20x2,8mm          | 140 m                             | 0,135                     | 0,067                                       |
| 4419725     | Ø25x3,5 mm         | 100 m                             | 0,218                     | 0,067                                       |
| 4419732     | Ø32x4,4 mm         | 60 m                              | 0,350                     | 0,069                                       |
| 4419740     | Ø40x5,5 mm         | 40 m                              | 0,545                     | 0,072                                       |
| 4419750     | Ø50x6,9 mm         | 20 m                              | 0,840                     | 0,065                                       |
| 4419763     | Ø63x8,6 mm         | 16 m                              | 1,330                     | 0,070                                       |
| 4419775     | Ø75x10,3 mm        | 12 m                              | 1,890                     | 0,070                                       |
| 4419790     | Ø90x12,3 mm        | 8 m                               | 2,640                     | 0,068                                       |
| 4419711     | Ø110x15,1 mm       | 4 m                               | 3.900                     | 0,052                                       |



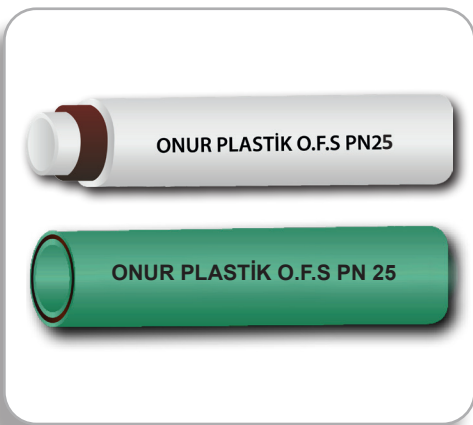
## PPR-C (PN20) BORU / PIPE / ТРУБА

| CODE<br>КОД | SIZE (Ø)<br>РАЗМЕР | 1 BOX QUANTITY<br>ЕД. В 1 КОРОБКЕ | WEIGHT (kg)<br>ВЕС ЗА ЕД. | BOX SIZE (m <sup>3</sup> )<br>РАЗМЕР КОРОБ. |
|-------------|--------------------|-----------------------------------|---------------------------|---|
| 4420020     | Ø20x3,4 mm         | 140 m                             | 0,160                     | 0,067                                       |
| 4420025     | Ø25x4,2 mm         | 100 m                             | 0,245                     | 0,067                                       |
| 4420032     | Ø32x5,4 mm         | 60 m                              | 0,395                     | 0,069                                       |
| 4420040     | Ø40x6,7 mm         | 40 m                              | 0,625                     | 0,072                                       |
| 4420050     | Ø50x8,4 mm         | 20 m                              | 0,975                     | 0,065                                       |
| 4420063     | Ø63x10,5 mm        | 16 m                              | 1,550                     | 0,070                                       |
| 4420075     | Ø75x12,5 mm        | 12 m                              | 2,190                     | 0,070                                       |
| 4420090     | Ø90x15,0 mm        | 8 m                               | 3,100                     | 0,068                                       |
| 4420011     | Ø110x18,4 mm       | 4 m                               | 4,560                     | 0,052                                       |



## PPR-C (PN20) FİBER BORU / COMPOSITE PIPE (GF) ТРУБА АРМИРОВАННАЯ СТЕКЛОВОЛОКНОМ

| CODE<br>КОД | SIZE (Ø)<br>РАЗМЕР | 1 BOX QUANTITY<br>ЕД. В 1 КОРОБКЕ | WEIGHT (kg)<br>ВЕС ЗА ЕД. | BOX SIZE (m <sup>3</sup> )<br>РАЗМЕР КОРОБ. |
|-------------|--------------------|-----------------------------------|---------------------------|---|
| 4419820     | Ø20x2,8 mm         | 140 m                             | 0,150                     | 0,067                                       |
| 4419825     | Ø25x3,5 mm         | 100 m                             | 0,228                     | 0,067                                       |
| 4419832     | Ø32x4,4 mm         | 60 m                              | 0,365                     | 0,069                                       |
| 4419840     | Ø40x5,5 mm         | 40 m                              | 0,560                     | 0,072                                       |
| 4419850     | Ø50x6,9 mm         | 20 m                              | 0,890                     | 0,065                                       |
| 4419863     | Ø63x8,6 mm         | 16 m                              | 1,365                     | 0,070                                       |
| 4419875     | Ø75x10,3 mm        | 12 m                              | 1,970                     | 0,070                                       |
| 4419890     | Ø90x12,3 mm        | 8 m                               | 2,815                     | 0,068                                       |
| 4419811     | Ø110x15,1 mm       | 4 m                               | 3,975                     | 0,052                                       |



## PPR-C (PN25) FİBER BORU / COMPOSITE PIPE (GF) ТРУБА АРМИРОВАННАЯ СТЕКЛОВОЛОКНОМ

| CODE<br>КОД | SIZE (Ø)<br>РАЗМЕР | 1 BOX QUANTITY<br>ЕД. В 1 КОРОБКЕ | WEIGHT (kg)<br>ВЕС ЗА ЕД. | BOX SIZE (m <sup>3</sup> )<br>РАЗМЕР КОРОБ. |
|-------------|--------------------|-----------------------------------|---------------------------|---|
| 4419620     | Ø20x3,4 mm         | 140 m                             | 0,160                     | 0,067                                       |
| 4419625     | Ø25x4,2 mm         | 100 m                             | 0,250                     | 0,067                                       |
| 4419632     | Ø32x5,4 mm         | 60 m                              | 0,415                     | 0,069                                       |
| 4419640     | Ø40x6,7 mm         | 40 m                              | 0,648                     | 0,072                                       |
| 4419650     | Ø50x8,4 mm         | 20 m                              | 1,010                     | 0,065                                       |
| 4419663     | Ø63x10,5 mm        | 16 m                              | 1,580                     | 0,070                                       |
| 4419675     | Ø75x12,5 mm        | 12 m                              | 2,220                     | 0,070                                       |
| 4419690     | Ø90x15,0 mm        | 8 m                               | 3,100                     | 0,068                                       |
| 4419611     | Ø110x18,4 mm       | 4 m                               | 5,450                     | 0,052                                       |



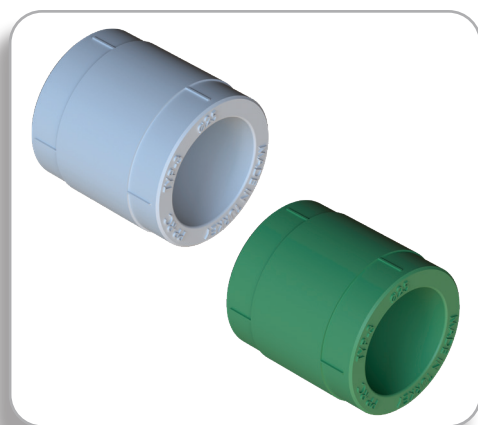
### PPR-C (PN25) AL. FOLYOLU BORU / INSIDE ALM. FOLIED PIPE / ТРУБА С АЛ. Ф.

| CODE<br>КОД | SIZE (Ø)<br>РАЗМЕР | 1 BOX QUANTITY<br>ЕД. В 1 КОРОБКЕ | WEIGHT (kg)<br>ВЕС ЗА ЕД. | BOX SIZE (m <sup>3</sup> )<br>РАЗМЕР КОРОБ. |
|-------------|--------------------|-----------------------------------|---------------------------|---|
| 4419920     | Ø20x3,4 mm         | 140m                              | 0,177                     | 0,067                                       |
| 4419925     | Ø25x4,2 mm         | 100m                              | 0,268                     | 0,067                                       |
| 4419932     | Ø32x5,4 mm         | 60m                               | 0,433                     | 0,069                                       |
| 4419940     | Ø40x6,7 mm         | 40m                               | 0,665                     | 0,072                                       |
| 4419950     | Ø50x8,4 mm         | 20m                               | 1,027                     | 0,065                                       |
| 4419963     | Ø63x12 mm          | 16m                               | 1,620                     | 0,070                                       |



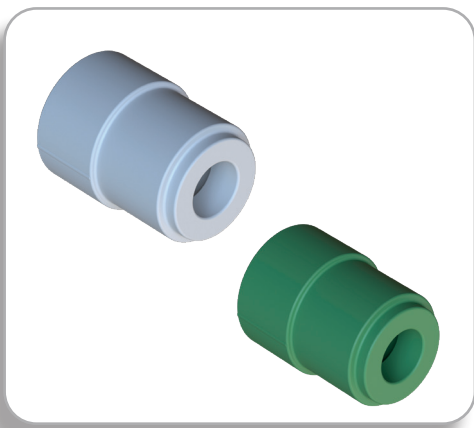
### PPR-C (PN20+) BORU BLUE FUSION / PIPE BLUE FUSION / ТРУБА БЛУЕ ФУЖЫН

| CODE<br>КОД | SIZE (Ø)<br>РАЗМЕР | 1 BOX QUANTITY<br>ЕД. В 1 КОРОБКЕ | WEIGHT (kg)<br>ВЕС ЗА ЕД. | BOX SIZE (m <sup>3</sup> )<br>РАЗМЕР КОРОБ. |
|-------------|--------------------|-----------------------------------|---------------------------|---|
| 4419520     | Ø20x3,4 mm         | 140m                              | 0,160                     | 0,067                                       |
| 4419525     | Ø25x4,2 mm         | 100m                              | 0,245                     | 0,067                                       |
| 4419532     | Ø32x5,4 mm         | 60m                               | 0,395                     | 0,079                                       |
| 4419540     | Ø40x6,7 mm         | 40m                               | 0,625                     | 0,072                                       |
| 4419550     | Ø50x8,4 mm         | 20m                               | 0,975                     | 0,065                                       |
| 4419563     | Ø63x10,5 mm        | 16m                               | 1,550                     | 0,070                                       |
| 4419575     | Ø75x12,5 mm        | 12m                               | 2,190                     | 0,070                                       |
| 4419590     | Ø90x15 mm          | 8m                                | 3,100                     | 0,068                                       |
| 4419511     | Ø110x18,4 mm       | 4m                                | 4,750                     | 0,052                                       |



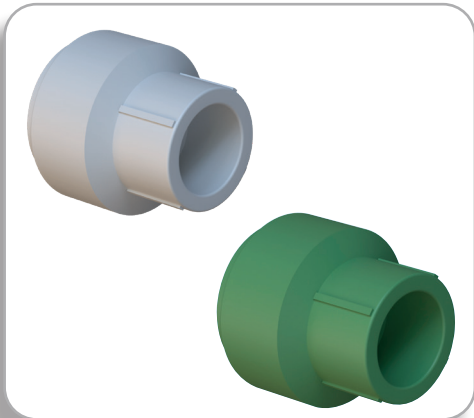
### PPR-C MANŞON / SOCKET / МУФТА

| CODE<br>КОД | SIZE (Ø)<br>РАЗМЕР | 1 BOX QUANTITY<br>ЕД. В 1 КОРОБКЕ | WEIGHT (kg)<br>ВЕС ЗА ЕД. | BOX SIZE (m <sup>3</sup> )<br>РАЗМЕР КОРОБ. |
|-------------|--------------------|-----------------------------------|---------------------------|---|
| 4420120     | Ø20 mm             | 600                               | 0,010                     | 0,027                                       |
| 4420125     | Ø25 mm             | 400                               | 0,014                     | 0,027                                       |
| 4420132     | Ø32 mm             | 200                               | 0,030                     | 0,027                                       |
| 4420140     | Ø40 mm             | 100                               | 0,043                     | 0,027                                       |
| 4420150     | Ø50 mm             | 70                                | 0,076                     | 0,027                                       |
| 4420163     | Ø63 mm             | 48                                | 0,136                     | 0,027                                       |
| 4420175     | Ø75 mm             | 28                                | 0,191                     | 0,027                                       |
| 4420190     | Ø90 mm             | 16                                | 0,266                     | 0,027                                       |
| 4420111     | Ø110 mm            | 8                                 | 0,635                     | 0,027                                       |



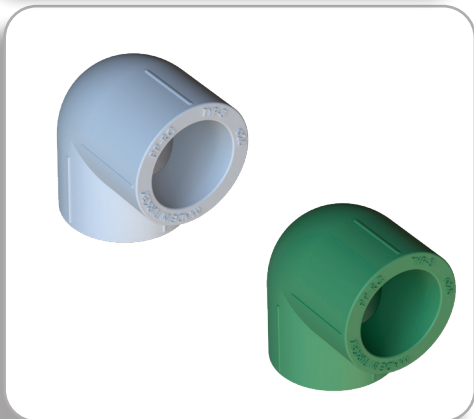
## PPR-C REDÜKSİYON / REDUCTION / ПЕРЕХОДНАЯ МУФТА

| CODE<br>КОД | SIZE (Ø)<br>РАЗМЕР | 1 BOX QUANTITY<br>ЕД. В 1 КОРОБКЕ | WEIGHT (kg)<br>ВЕС ЗА ЕД. | BOX SIZE (m <sup>3</sup> )<br>РАЗМЕР КОРОБ. |
|-------------|--------------------|-----------------------------------|---------------------------|---|
| 4420225     | Ø25 x 20mm         | 600                               | 0,010                     | 0,027                                       |
| 4420232     | Ø32 x 20mm         | 400                               | 0,016                     | 0,027                                       |
| 4420233     | Ø32 x 25mm         | 400                               | 0,018                     | 0,027                                       |
| 4420240     | Ø40 x 20mm         | 275                               | 0,025                     | 0,027                                       |
| 4420241     | Ø40 x 25mm         | 225                               | 0,025                     | 0,027                                       |
| 4420242     | Ø40 x 32mm         | 200                               | 0,030                     | 0,027                                       |
| 4420250     | Ø50 x 25mm         | 140                               | 0,036                     | 0,027                                       |
| 4420251     | Ø50 x 32mm         | 140                               | 0,040                     | 0,027                                       |
| 4420252     | Ø50 x 40mm         | 110                               | 0,048                     | 0,027                                       |
| 4420262     | Ø63 x 32mm         | 80                                | 0,055                     | 0,027                                       |
| 4420263     | Ø63 x 40mm         | 70                                | 0,094                     | 0,027                                       |
| 4420264     | Ø63 x 50mm         | 60                                | 0,100                     | 0,027                                       |
| 4420275     | Ø75 x 32mm         | 50                                | 0,120                     | 0,027                                       |
| 4420276     | Ø75 x 40mm         | 35                                | 0,115                     | 0,027                                       |
| 4420277     | Ø75 x 50mm         | 35                                | 0,130                     | 0,027                                       |
| 4420278     | Ø75 x 63mm         | 32                                | 0,163                     | 0,027                                       |
| 4420290     | Ø90 x 63mm         | 32                                | 0,281                     | 0,027                                       |
| 4420291     | Ø90 x 75mm         | 32                                | 0,248                     | 0,027                                       |



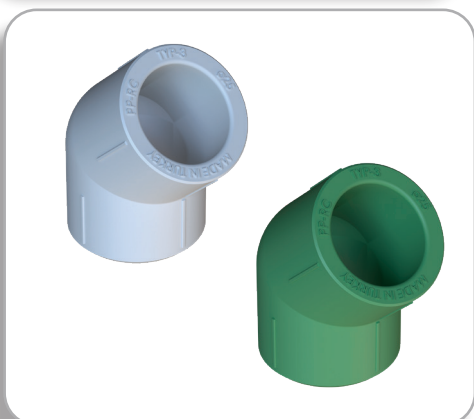
## PPR-C REDÜKSİYON / REDUCTION / ПЕРЕХОДНАЯ МУФТА

| CODE<br>КОД | SIZE (Ø)<br>РАЗМЕР | 1 BOX QUANTITY<br>ЕД. В 1 КОРОБКЕ | WEIGHT (kg)<br>ВЕС ЗА ЕД. | BOX SIZE (m <sup>3</sup> )<br>РАЗМЕР КОРОБ. |
|-------------|--------------------|-----------------------------------|---------------------------|---|
| 4428925     | Ø25 x 20mm         |                                   | 0,014                     | 0,027                                       |
| 4428932     | Ø32 x 20mm         |                                   | 0,019                     | 0,027                                       |
| 4428933     | Ø32 x 25mm         |                                   | 0,020                     | 0,027                                       |



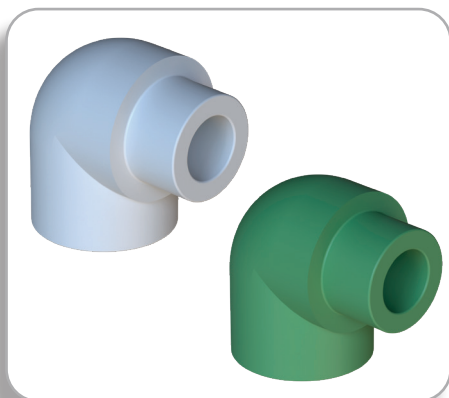
## PPR-C (90°) DİRSEK / ELBOW / УГОЛЬНИК

| CODE<br>КОД | SIZE (Ø)<br>РАЗМЕР | 1 BOX QUANTITY<br>ЕД. В 1 КОРОБКЕ | WEIGHT (kg)<br>ВЕС ЗА ЕД. | BOX SIZE (m <sup>3</sup> )<br>РАЗМЕР КОРОБ. |
|-------------|--------------------|-----------------------------------|---------------------------|---|
| 4420320     | Ø20mm              | 400                               | 0,014                     | 0,027                                       |
| 44E0325     | Ø25mm              | 300                               | 0,020                     | 0,027                                       |
| 4420325     | Ø25mm (LUX)        | 250                               | 0,026                     | 0,027                                       |
| 4420332     | Ø32mm              | 125                               | 0,038                     | 0,027                                       |
| 4420340     | Ø40mm              | 90                                | 0,062                     | 0,027                                       |
| 4420350     | Ø50mm              | 40                                | 0,123                     | 0,027                                       |
| 4420363     | Ø63mm              | 20                                | 0,244                     | 0,027                                       |
| 4420375     | Ø75mm              | 18                                | 0,380                     | 0,027                                       |
| 4420390     | Ø90mm              | 8                                 | 0,578                     | 0,027                                       |
| 4420311     | Ø110mm             | 3                                 | 0,960                     | 0,027                                       |



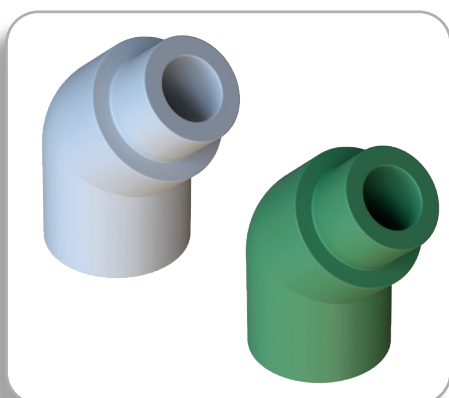
## PPR-C (45°) DİRSEK / ELBOW / УГОЛЬНИК

| CODE<br>КОД | SIZE (Ø)<br>РАЗМЕР | 1 BOX QUANTITY<br>ЕД. В 1 КОРОБКЕ | WEIGHT (kg)<br>ВЕС ЗА ЕД. | BOX SIZE (m <sup>3</sup> )<br>РАЗМЕР КОРОБ. |
|-------------|--------------------|-----------------------------------|---------------------------|---|
| 4420420     | Ø20mm              | 450                               | 0,011                     | 0,027                                       |
| 4420425     | Ø25mm              | 300                               | 0,017                     | 0,027                                       |
| 4420432     | Ø32mm              | 175                               | 0,029                     | 0,027                                       |
| 4420440     | Ø40mm              | 100                               | 0,067                     | 0,027                                       |
| 4420450     | Ø50mm              | 60                                | 0,082                     | 0,027                                       |
| 4420463     | Ø63mm              | 20                                | 0,236                     | 0,027                                       |
| 4420475     | Ø75mm              | 12                                | 0,392                     | 0,027                                       |
| 4420490     | Ø90mm              | 10                                | 0,557                     | 0,027                                       |
| 4420411     | Ø110mm             | 4                                 | 0,915                     | 0,027                                       |



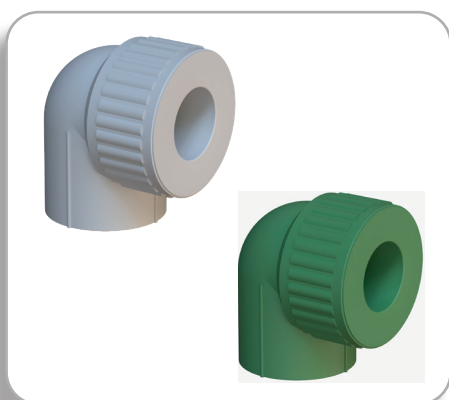
**PPR-C (90°) KUYUKLU DİRSEK**  
**TAILED ELBOW**  
**УГОЛЬНИК ПЕРЕХОДНОЙ ВН. НАР.**

| CODE<br>КОД | SIZE (Ø)<br>РАЗМЕР | 1 BOX QUANTITY<br>ЕД. В 1 КОРОБКЕ | WEIGHT (kg)<br>ВЕС ЗА ЕД. | BOX SIZE (m³)<br>РАЗМЕР КОРОБ. |
|-------------|--------------------|-----------------------------------|---------------------------|--------------------------------|
| 4423920     | Ø20mm              | 500                               | 0,017                     | 0,027                          |
| 4423925     | Ø25mm              | 300                               | 0,021                     | 0,027                          |



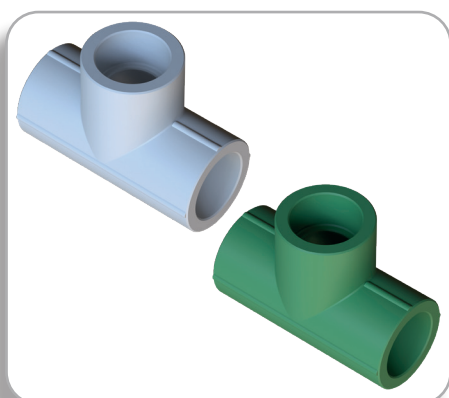
**PPR-C (45°) KUYUKLU DİRSEK / TAILED ELBOW /**  
**УГОЛЬНИК ПЕРЕХОДНОЙ ВН. НАР.**

| CODE<br>КОД | SIZE (Ø)<br>РАЗМЕР | 1 BOX QUANTITY<br>ЕД. В 1 КОРОБКЕ | WEIGHT (kg)<br>ВЕС ЗА ЕД. | BOX SIZE (m³)<br>РАЗМЕР КОРОБ. |
|-------------|--------------------|-----------------------------------|---------------------------|--------------------------------|
| 4424020     | Ø20mm              | 500                               | 0,017                     | 0,027                          |
| 4424025     | Ø25mm              | 400                               | 0,026                     | 0,027                          |



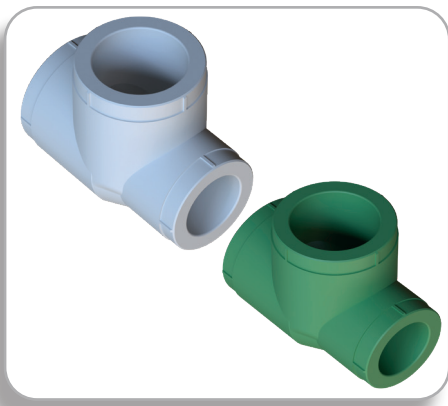
**PPR-C REDÜKSİYON DİRSEK / REDUCTION ELBOW /**  
**ПЕРЕХОДНАЯ МУФТА УГОЛЬНИК**

| CODE<br>КОД | SIZE (Ø)<br>РАЗМЕР | 1 BOX QUANTITY<br>ЕД. В 1 КОРОБКЕ | WEIGHT (kg)<br>ВЕС ЗА ЕД. | BOX SIZE (m³)<br>РАЗМЕР КОРОБ. |
|-------------|--------------------|-----------------------------------|---------------------------|--------------------------------|
| 4428325     | Ø20x25mm           | 225                               | 0,000                     | 0,027                          |
| 4428332     | Ø32x25mm           | 160                               | 0,032                     | 0,027                          |



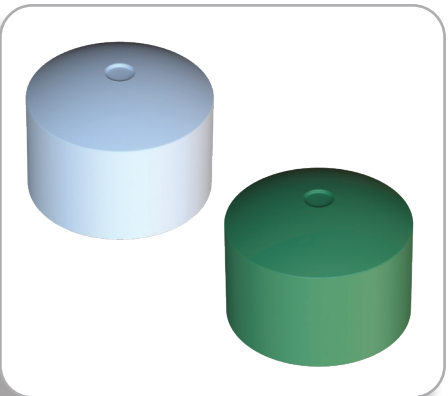
**PPR-C TE PARÇASI / TEE PIECE / ТРОЙНИК**

| CODE<br>КОД | SIZE (Ø)<br>РАЗМЕР | 1 BOX QUANTITY<br>ЕД. В 1 КОРОБКЕ | WEIGHT (kg)<br>ВЕС ЗА ЕД. | BOX SIZE (m³)<br>РАЗМЕР КОРОБ. |
|-------------|--------------------|-----------------------------------|---------------------------|--------------------------------|
| 4420720     | Ø20mm              | 300                               | 0,020                     | 0,027                          |
| 4420725     | Ø25mm              | 175                               | 0,028                     | 0,027                          |
| 4420732     | Ø32mm              | 100                               | 0,051                     | 0,027                          |
| 4420740     | Ø40mm              | 50                                | 0,081                     | 0,027                          |
| 4420750     | Ø50mm              | 25                                | 0,154                     | 0,027                          |
| 4420763     | Ø63mm              | 16                                | 0,302                     | 0,027                          |
| 4420775     | Ø75mm              | 12                                | 0,465                     | 0,027                          |
| 4420790     | Ø90mm              | 5                                 | 0,975                     | 0,027                          |
| 4420711     | Ø110mm             | 2                                 | 1,420                     | 0,027                          |



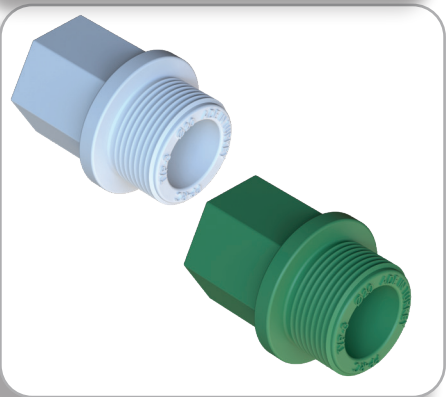
## PPR-C İNEĞAL TE / REDUCTION TEE PIECE / ТРОЙНИК ПЕРЕХОДНОЙ

| CODE<br>КОД | SIZE (Ø)<br>РАЗМЕР | 1 BOX QUANTITY<br>ЕД. В 1 КОРОБКЕ | WEIGHT (kg)<br>ВЕС ЗА ЕД. | BOX SIZE (m <sup>3</sup> )<br>РАЗМЕР КОРОБ. |
|-------------|--------------------|-----------------------------------|---------------------------|---|
| 4420820     | Ø25 x 20 x 20 mm   | 200                               | 0,034                     | 0,027                                       |
| 4420821     | Ø25 x 25 x 20 mm   | 200                               | 0,034                     | 0,027                                       |
| 4420825     | Ø25 x 20 x 25 mm   | 175                               | 0,031                     | 0,027                                       |
| 4420826     | Ø32 x 20 x 20 mm   | 100                               | 0,071                     | 0,027                                       |
| 4420827     | Ø32 x 25 x 20 mm   | 100                               | 0,067                     | 0,027                                       |
| 4420828     | Ø32 x 32 x 20 mm   | 100                               | 0,064                     | 0,027                                       |
| 4420832     | Ø32 x 20 x 32 mm   | 100                               | 0,060                     | 0,027                                       |
| 4420833     | Ø32 x 25 x 32 mm   | 100                               | 0,063                     | 0,027                                       |
| 4420840     | Ø40 x 20 x 40 mm   | 70                                | 0,091                     | 0,027                                       |
| 4420841     | Ø40 x 25 x 40 mm   | 60                                | 0,091                     | 0,027                                       |
| 4420842     | Ø40 x 32 x 40 mm   | 60                                | 0,105                     | 0,027                                       |
| 4420850     | Ø50 x 20 x 50 mm   | 42                                | 0,250                     | 0,027                                       |
| 4420851     | Ø50 x 25 x 50 mm   | 30                                | 0,242                     | 0,027                                       |
| 4420852     | Ø50 x 32 x 50 mm   | 30                                | 0,225                     | 0,027                                       |
| 4420853     | Ø50 x 40 x 50 mm   | 25                                | 0,208                     | 0,027                                       |
| 4420860     | Ø63 x 20 x 63 mm   | 24                                | 0,392                     | 0,027                                       |
| 4420861     | Ø63 x 25 x 63 mm   | 24                                | 0,248                     | 0,027                                       |
| 4420862     | Ø63 x 32 x 63 mm   | 20                                | 0,246                     | 0,027                                       |
| 4420863     | Ø63 x 40 x 63 mm   | 20                                | 0,360                     | 0,027                                       |
| 4420864     | Ø63 x 50 x 63 mm   | 20                                | 0,345                     | 0,027                                       |



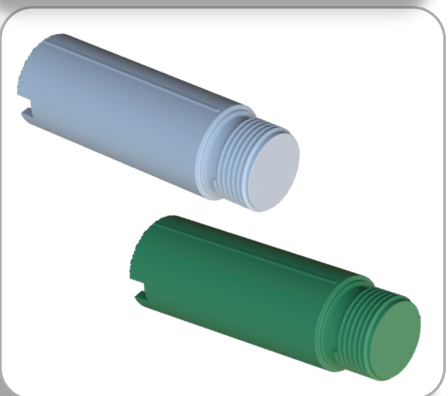
## PPR-C KARAMA BAŞLIĞI / END CAP / ЗАГЛУШКА

| CODE<br>КОД | SIZE (Ø)<br>РАЗМЕР | 1 BOX QUANTITY<br>ЕД. В 1 КОРОБКЕ | WEIGHT (kg)<br>ВЕС ЗА ЕД. | BOX SIZE (m <sup>3</sup> )<br>РАЗМЕР КОРОБ. |
|-------------|--------------------|-----------------------------------|---------------------------|---|
| 4420920     | Ø20mm              | 1000                              | 0,007                     | 0,027                                       |
| 4420925     | Ø25mm              | 700                               | 0,010                     | 0,027                                       |
| 4420932     | Ø32mm              | 400                               | 0,016                     | 0,027                                       |
| 4420940     | Ø40mm              | 200                               | 0,028                     | 0,027                                       |
| 4420950     | Ø50mm              | 140                               | 0,046                     | 0,027                                       |
| 4420963     | Ø63mm              | 60                                | 0,105                     | 0,027                                       |



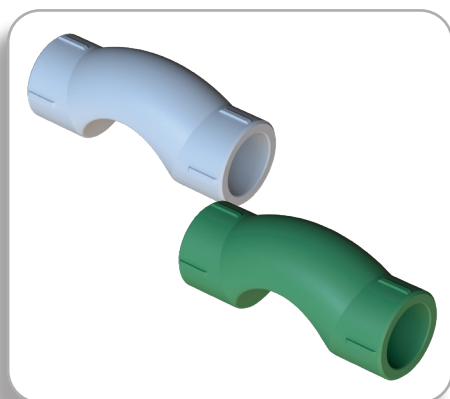
## PPR-C DIŞLİ UZUN KÖR TAPA / LONG BLIND CAP / ЗАГЛУШКА РЕЗБОВАЯ

| CODE<br>КОД | SIZE (Ø)<br>РАЗМЕР | 1 BOX QUANTITY<br>ЕД. В 1 КОРОБКЕ | WEIGHT (kg)<br>ВЕС ЗА ЕД. | BOX SIZE (m <sup>3</sup> )<br>РАЗМЕР КОРОБ. |
|-------------|--------------------|-----------------------------------|---------------------------|---|
| 4422220     | Ø20mm              | 3000                              | 0,008                     | 0,096                                       |
| 4422225     | Ø25mm              | 3000                              | 0,007                     | 0,096                                       |
| 4422232     | Ø32mm              | 2000                              | 0,011                     | 0,096                                       |



## PPR-C TERAZİ TAPASI / TEST TAP / АГЛУШКА ДЛИННАЯ С РЕЗЬБОЙ.

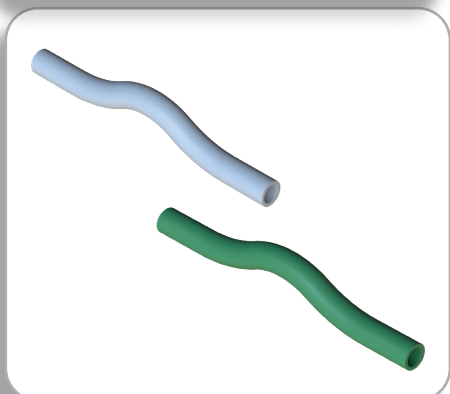
| CODE<br>КОД | SIZE (Ø)<br>РАЗМЕР | 1 BOX QUANTITY<br>ЕД. В 1 КОРОБКЕ | WEIGHT (kg)<br>ВЕС ЗА ЕД. | BOX SIZE (m <sup>3</sup> )<br>РАЗМЕР КОРОБ. |
|-------------|--------------------|-----------------------------------|---------------------------|---|
| 4423820     | Ø20 mm             | 1800                              | 0,008                     | 0,096                                       |
| 4423825     | Ø20 mm (LONG)      | 1000                              | 0,019                     | 0,096                                       |


**PPR-C KISA KAVİS C / SHORT CROSSOVER /  
 КОРОТКИЙ ОБВОД**

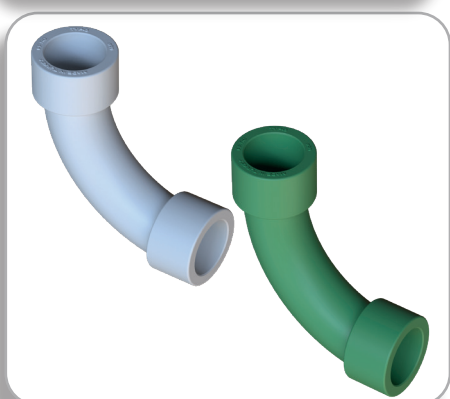
| CODE<br>КОД | SIZE (Ø)<br>РАЗМЕР | 1 BOX QUANTITY<br>ЕД. В 1 КОРОБКЕ | WEIGHT (kg)<br>ВЕС ЗА ЕД. | BOX SIZE (m³)<br>РАЗМЕР КОРОБ. |
|-------------|--------------------|-----------------------------------|---------------------------|--------------------------------|
| 4423720     | Ø20 mm             | 200                               | 0,029                     | 0,027                          |
| 4423725     | Ø25mm              | 125                               | 0,039                     | 0,027                          |
| 4423732     | Ø32 mm             | 80                                | 0,055                     | 0,027                          |


**PPR-C UZUN KAVİS MANŞONLU / LONG CROSSOVER /  
 ОБВОД**

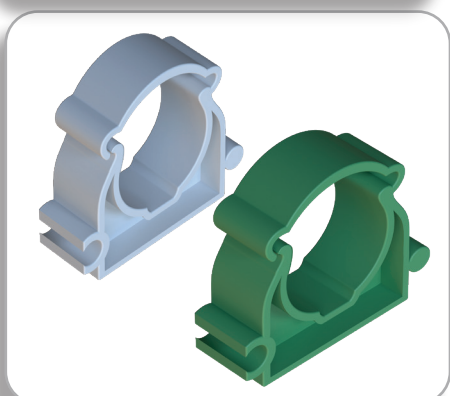
| CODE<br>КОД | SIZE (Ø)<br>РАЗМЕР | 1 BOX QUANTITY<br>ЕД. В 1 КОРОБКЕ | WEIGHT (kg)<br>ВЕС ЗА ЕД. | BOX SIZE (m³)<br>РАЗМЕР КОРОБ. |
|-------------|--------------------|-----------------------------------|---------------------------|--------------------------------|
| 4420520     | Ø20 mm             | 125                               | 0,034                     | 0,027                          |
| 4420525     | Ø25 mm             | 75                                | 0,060                     | 0,027                          |
| 4420532     | Ø32 mm             | 35                                | 0,110                     | 0,027                          |


**PPR-C UZUN KAVİS MANŞONSUZ  
 CROSSOVER LONG WITHOUT SOCKET  
 ДЛИННЫЙ ОБВОД**

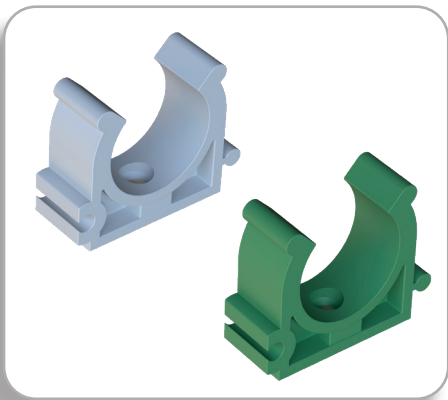
| CODE<br>КОД | SIZE (Ø)<br>РАЗМЕР | 1 BOX QUANTITY<br>ЕД. В 1 КОРОБКЕ | WEIGHT (kg)<br>ВЕС ЗА ЕД. | BOX SIZE (m³)<br>РАЗМЕР КОРОБ. |
|-------------|--------------------|-----------------------------------|---------------------------|--------------------------------|
| 4427020     | Ø20 mm             | 150                               | 0,040                     | 0,027                          |
| 4427025     | Ø25 mm             | 60                                | 0,062                     | 0,027                          |
| 4427032     | Ø32 mm             | 50                                | 0,103                     | 0,027                          |


**PPR-C (90°) UZUN DİRSEK / ELBOW LONG /  
 ДЛИННЫЙ УГОЛЬНИК**

| CODE<br>КОД | SIZE (Ø)<br>РАЗМЕР | 1 BOX QUANTITY<br>ЕД. В 1 КОРОБКЕ | WEIGHT (kg)<br>ВЕС ЗА ЕД. | BOX SIZE (m³)<br>РАЗМЕР КОРОБ. |
|-------------|--------------------|-----------------------------------|---------------------------|--------------------------------|
| 4426925     | Ø25 mm             | 120                               | 0,040                     | 0,027                          |

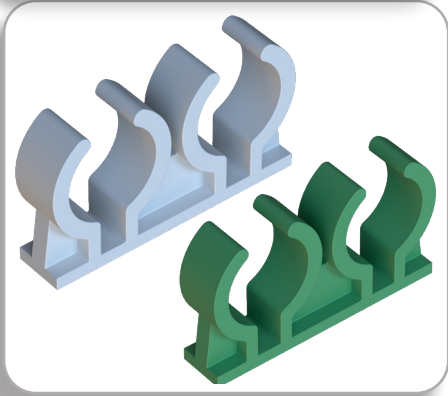

**PPR-C KARAKLI KELEPÇE / SINGLE PIPE CLAMP CAP /  
 ОПОРА С ЗАЩЕЛКОЙ**

| CODE<br>КОД | SIZE (Ø)<br>РАЗМЕР | 1 BOX QUANTITY<br>ЕД. В 1 КОРОБКЕ | WEIGHT (kg)<br>ВЕС ЗА ЕД. | BOX SIZE (m³)<br>РАЗМЕР КОРОБ. |
|-------------|--------------------|-----------------------------------|---------------------------|--------------------------------|
| 4422016     | Ø16 mm             | 4000                              | 0,005                     | 0,096                          |
| 4422020     | Ø20 mm             | 2700                              | 0,007                     | 0,096                          |
| 4422025     | Ø25 mm             | 2000                              | 0,007                     | 0,096                          |
| 4422032     | Ø32 mm             | 1500                              | 0,010                     | 0,096                          |
| 4422040     | Ø40 mm             | 850                               | 0,013                     | 0,096                          |
| 4422050     | Ø50 mm             | 625                               | 0,017                     | 0,096                          |



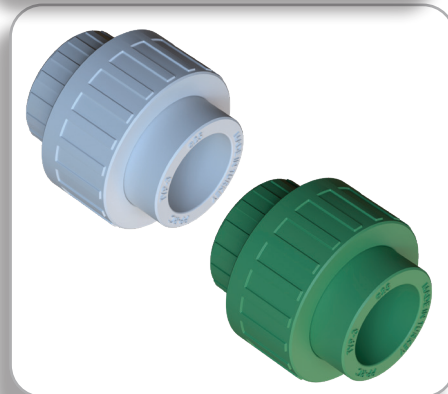
## PPR-C AÇIK KELEPÇE / SINGLE PIPE CLAMP / ОПОРА

| CODE<br>КОД | SIZE (Ø)<br>РАЗМЕР | 1 BOX QUANTITY<br>ЕД. В 1 КОРОБКЕ | WEIGHT (kg)<br>ВЕС ЗА ЕД. | BOX SIZE (m <sup>3</sup> )<br>РАЗМЕР КОРОБ. |
|-------------|--------------------|-----------------------------------|---------------------------|---|
| 4424620     | Ø20mm              | 4000                              | 0,005                     | 0,096                                       |
| 4424625     | Ø25mm              | 3000                              | 0,005                     | 0,096                                       |
| 4424632     | Ø32mm              | 2000                              | 0,009                     | 0,096                                       |



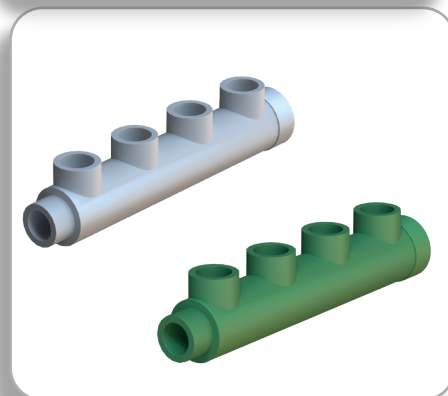
## PPR-C ÇİFTLİ KELEPÇE / DOUBLE PIPE CLAMP / ДВОЙНАЯ ОПОРА

| CODE<br>КОД | SIZE (Ø)<br>РАЗМЕР | 1 BOX QUANTITY<br>ЕД. В 1 КОРОБКЕ | WEIGHT (kg)<br>ВЕС ЗА ЕД. | BOX SIZE (m <sup>3</sup> )<br>РАЗМЕР КОРОБ. |
|-------------|--------------------|-----------------------------------|---------------------------|---|
| 4422120     | Ø20 mm             | 600                               | 0,010                     | 0,027                                       |
| 4422122     | Ø22 mm             | 600                               | 0,010                     | 0,027                                       |
| 4422125     | Ø25 mm             | 500                               | 0,012                     | 0,027                                       |
| 4422127     | Ø27 mm             | 500                               | 0,012                     | 0,027                                       |
| 4422132     | Ø32 mm             | 300                               | 0,016                     | 0,027                                       |



## PPR-C ÇİFT TARAFLI PLASTİK OYNAR DOUBLE SIDED ADAPTOR PLS ПЛАСТИКОВАЯ РАЗЪЕМНАЯ МУФТА

| CODE<br>КОД | SIZE (Ø)<br>РАЗМЕР | 1 BOX QUANTITY<br>ЕД. В 1 КОРОБКЕ | WEIGHT (kg)<br>ВЕС ЗА ЕД. | BOX SIZE (m <sup>3</sup> )<br>РАЗМЕР КОРОБ. |
|-------------|--------------------|-----------------------------------|---------------------------|---|
| 4426620     | Ø20 mm             | 150                               | 0,035                     | 0,027                                       |
| 4426625     | Ø25 mm             | 150                               | 0,041                     | 0,027                                       |
| 4426632     | Ø32 mm             | 80                                | 0,061                     | 0,027                                       |



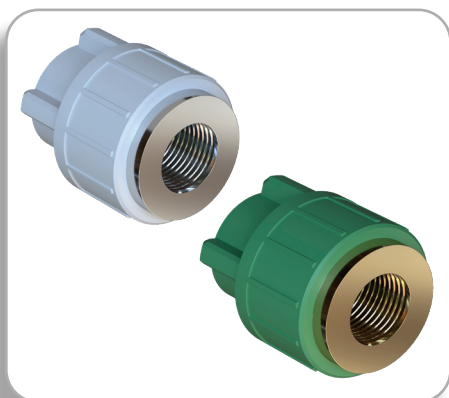
## PPR-C MANİFOLD BORU / MANIFOLD PIPE / КОЛЛЕКТОРНАЯ ТРУБА

| CODE<br>КОД | SIZE (Ø)<br>РАЗМЕР | 1 BOX QUANTITY<br>ЕД. В 1 КОРОБКЕ | WEIGHT (kg)<br>ВЕС ЗА ЕД. | BOX SIZE (m <sup>3</sup> )<br>РАЗМЕР КОРОБ. |
|-------------|--------------------|-----------------------------------|---------------------------|---|
| 4428531     | Ø32x20 mm          | 25                                | 0,190                     | 0,027                                       |
| 4428532     | Ø32x25 mm          | 25                                | 0,182                     | 0,027                                       |
| 4428551     | Ø50x25 mm          | 10                                | 0,539                     | 0,027                                       |
| 4428552     | Ø50x32 mm          | 10                                | 0,533                     | 0,027                                       |



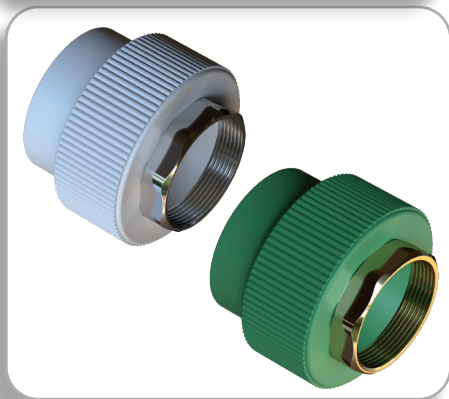
## PPR-C İÇ DIŞLİ REKOR / FEMALE ROUND ADAPTER МУФТА КОМБИНИРОВАННАЯ С ВН./Р.

| CODE<br>КОД | SIZE (Ø)<br>РАЗМЕР | 1 BOX QUANTITY<br>ЕД. В 1 КОРОБКЕ | WEIGHT (kg)<br>ВЕС ЗА ЕД. | BOX SIZE (m <sup>3</sup> )<br>РАЗМЕР КОРОБ. |
|-------------|--------------------|-----------------------------------|---------------------------|---|
| 4421020     | Ø20 x 1/2"         | 300                               | 0,034                     | 0,027                                       |
| 4421021     | Ø20 x 3/4"         | 250                               | 0,057                     | 0,027                                       |
| 44E1022     | Ø25 x 1/2"         | 300                               | 0,040                     | 0,027                                       |
| 4421022     | Ø25 x 1/2" (LUX)   | 300                               | 0,043                     | 0,027                                       |
| 4421025     | Ø25 x 3/4"         | 250                               | 0,046                     | 0,027                                       |
| 4421026     | Ø32 x 1/2"         | 250                               | 0,086                     | 0,027                                       |
| 4421027     | Ø32 x 3/4"         | 250                               | 0,053                     | 0,027                                       |
| 4421032     | Ø32 x 1"           | 140                               | 0,090                     | 0,027                                       |



**PPR-C FUSION™ İÇ DİŞLİ REKOR**  
**FUSION™ FEMALE ROUND ADAPTER**  
**FUSION™ МУФТА КОМБИНИРОВАННАЯ**  
**С ВН./Р.**

| CODE<br>КОД | SIZE (Ø)<br>РАЗМЕР | 1 BOX QUANTITY<br>ЕД. В 1 КОРОБКЕ | WEIGHT (kg)<br>ВЕС ЗА ЕД. | BOX SIZE (m³)<br>РАЗМЕР КОРОБ. |
|-------------|--------------------|-----------------------------------|---------------------------|--------------------------------|
| 4427620     | Ø20 x 1/2" Fusion  | 200                               | 0,066                     | 0,027                          |
| 4427622     | Ø25 x 1/2" Fusion  | 200                               | 0,080                     | 0,027                          |



**PPR-C A.K. İÇ DİŞLİ REKOR / HEX. FEMALE ROUND**  
**ADAPTER / МУФТА КОМБИНИРОВАННАЯ ПОД**  
**КЛЮЧ С ВН./Р.**

| CODE<br>КОД | SIZE (Ø)<br>РАЗМЕР | 1 BOX QUANTITY<br>ЕД. В 1 КОРОБКЕ | WEIGHT (kg)<br>ВЕС ЗА ЕД. | BOX SIZE (m³)<br>РАЗМЕР КОРОБ. |
|-------------|--------------------|-----------------------------------|---------------------------|--------------------------------|
| 4421132     | Ø32 x 1"           | 90                                | 0,125                     | 0,027                          |
| 4421140     | Ø40 x 1 1/4"       | 50                                | 0,200                     | 0,027                          |
| 4421150     | Ø50 x 1 1/2"       | 40                                | 0,264                     | 0,027                          |
| 4421163     | Ø63 x 2"           | 20                                | 0,559                     | 0,027                          |
| 4421175     | Ø75 x 2 1/2"       | 15                                | 0,937                     | 0,027                          |
| 4421190     | Ø90 x 3"           | 12                                | 1,039                     | 0,027                          |



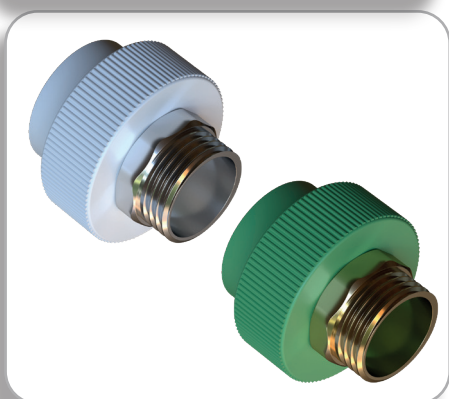
**PPR-C DIŞ DİŞLİ REKOR / MALE ROUND ADAPTER**  
**МУФТА КОМБИНИРОВАННАЯ С НАР./Р.**

| CODE<br>КОД | SIZE (Ø)<br>РАЗМЕР | 1 BOX QUANTITY<br>ЕД. В 1 КОРОБКЕ | WEIGHT (kg)<br>ВЕС ЗА ЕД. | BOX SIZE (m³)<br>РАЗМЕР КОРОБ. |
|-------------|--------------------|-----------------------------------|---------------------------|--------------------------------|
| 4421220     | Ø20 x 1/2"         | 300                               | 0,044                     | 0,027                          |
| 4421221     | Ø20 x 3/4"         | 200                               | 0,060                     | 0,027                          |
| 44E1222     | Ø25 x 1/2"         | 300                               | 0,043                     | 0,027                          |
| 4421222     | Ø25 x 1/2" (LUX)   | 300                               | 0,048                     | 0,027                          |
| 4421225     | Ø25 x 3/4"         | 200                               | 0,061                     | 0,027                          |
| 4421226     | Ø32 x 1/2"         | 200                               | 0,092                     | 0,027                          |
| 4421227     | Ø32 x 3/4"         | 200                               | 0,064                     | 0,027                          |
| 4421232     | Ø32 x 1"           | 120                               | 0,098                     | 0,027                          |



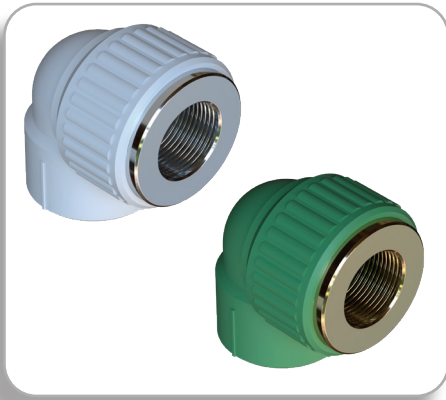
**PPR-C FUSION™ DIŞ DİŞLİ REKOR**  
**FUSION™ MALE ROUND ADAPTER**  
**FUSION™ МУФТА КОМБИНИРОВАННАЯ С НАР./Р.**

| CODE<br>КОД | SIZE (Ø)<br>РАЗМЕР | 1 BOX QUANTITY<br>ЕД. В 1 КОРОБКЕ | WEIGHT (kg)<br>ВЕС ЗА ЕД. | BOX SIZE (m³)<br>РАЗМЕР КОРОБ. |
|-------------|--------------------|-----------------------------------|---------------------------|--------------------------------|
| 4427720     | Ø20 x 1/2"         | 150                               | 0,070                     | 0,027                          |
| 4427722     | Ø25 x 1/2"         | 150                               | 0,091                     | 0,027                          |



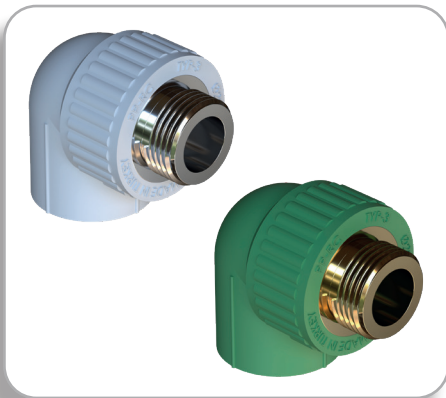
**PPR-C A.K. DIŞ DİŞLİ REKOR / HEX. MALE ROUND**  
**ADAPTER / МУФТА КОМБИНИРОВАННАЯ ПОД**  
**КЛЮЧ С НАР./Р.**

| CODE<br>КОД | SIZE (Ø)<br>РАЗМЕР | 1 BOX QUANTITY<br>ЕД. В 1 КОРОБКЕ | WEIGHT (kg)<br>ВЕС ЗА ЕД. | BOX SIZE (m³)<br>РАЗМЕР КОРОБ. |
|-------------|--------------------|-----------------------------------|---------------------------|--------------------------------|
| 4421332     | Ø32 x 1"           | 100                               | 0,120                     | 0,027                          |
| 4421340     | Ø40 x 1 1/4"       | 50                                | 0,285                     | 0,027                          |
| 4421350     | Ø50 x 1 1/2"       | 35                                | 0,344                     | 0,027                          |
| 4421363     | Ø63 x 2"           | 25                                | 0,558                     | 0,027                          |
| 4421375     | Ø75 x 2 1/2"       | 12                                | 0,876                     | 0,027                          |
| 4421390     | Ø90 x 3"           | 10                                | 1,076                     | 0,027                          |



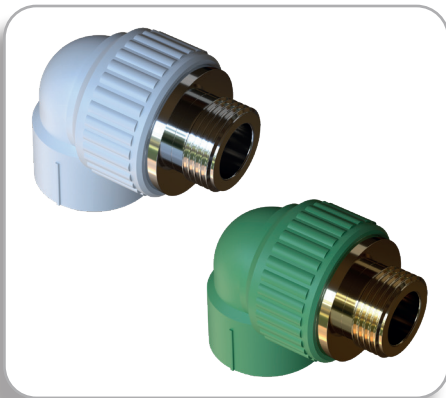
**PPR-C FUSION™ İÇ DIŞLİ DİRSEK  
FUSION™ FEMALE ELBOW  
FUSION™ УГОЛЬНИК КОМБИНИРОВАННЫЙ  
ВН./Р.**

| CODE<br>КОД | SIZE (Ø)<br>РАЗМЕР | 1 BOX QUANTITY<br>ЕД. В 1 КОРОБКЕ | WEIGHT (kg)<br>ВЕС ЗА ЕД. | BOX SIZE (m³)<br>РАЗМЕР КОРОБ. |
|-------------|--------------------|-----------------------------------|---------------------------|--------------------------------|
| 4427820     | Ø20 x 1/2"         | 175                               | 0,061                     | 0,027                          |
| 4427822     | Ø25 x 1/2"         | 150                               | 0,077                     | 0,027                          |



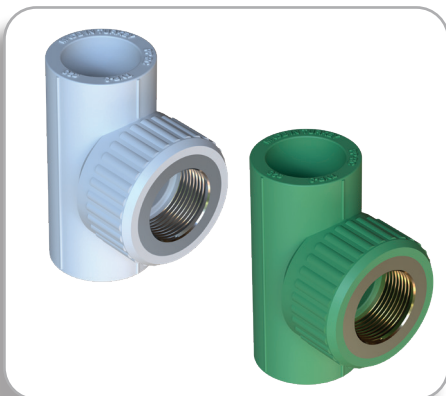
**PPR-C DIŞ DIŞLİ DİRSEK / MALE ELBOW  
УГОЛЬНИК КОМБИНИРОВАННЫЙ НАР./Р.**

| CODE<br>КОД | SIZE (Ø)<br>РАЗМЕР | 1 BOX QUANTITY<br>ЕД. В 1 КОРОБКЕ | WEIGHT (kg)<br>ВЕС ЗА ЕД. | BOX SIZE (m³)<br>РАЗМЕР КОРОБ. |
|-------------|--------------------|-----------------------------------|---------------------------|--------------------------------|
| 4421520     | Ø20 x 1/2"         | 250                               | 0,050                     | 0,027                          |
| 4421521     | Ø20 x 3/4"         | 150                               | 0,102                     | 0,027                          |
| 44E1525     | Ø25 x 1/2"         | 150                               | 0,052                     | 0,027                          |
| 4421522     | Ø25 x 1/2" (LUX)   | 150                               | 0,066                     | 0,027                          |
| 4421525     | Ø25 x 3/4"         | 150                               | 0,078                     | 0,027                          |
| 4421526     | Ø32 x 1/2"         | 80                                | 0,110                     | 0,027                          |
| 4421527     | Ø32 x 3/4"         | 80                                | 0,145                     | 0,027                          |
| 4421532     | Ø32 x 1"           | 80                                | 0,109                     | 0,027                          |



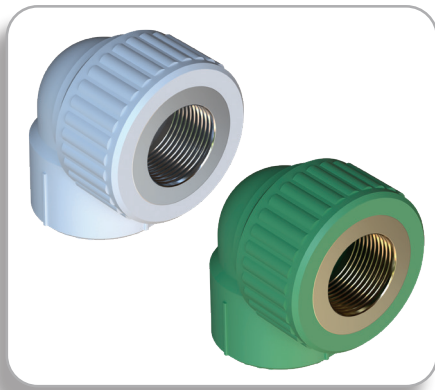
**PPR-C FUSION™ DIŞ DIŞLİ DİRSEK  
FUSION™ MALE ELBOW  
FUSION™ УГОЛЬНИК КОМБИНИРОВАННЫЙ  
НАР./Р.**

| CODE<br>КОД | SIZE (Ø)<br>РАЗМЕР | 1 BOX QUANTITY<br>ЕД. В 1 КОРОБКЕ | WEIGHT (kg)<br>ВЕС ЗА ЕД. | BOX SIZE (m³)<br>РАЗМЕР КОРОБ. |
|-------------|--------------------|-----------------------------------|---------------------------|--------------------------------|
| 4427920     | Ø20 x 1/2"         | 150                               | 0,080                     | 0,027                          |
| 4427922     | Ø25 x 1/2"         | 140                               | 0,111                     | 0,027                          |



**PPR-C İÇ DIŞLİ TE / FEMALE TEE / ТРОЙНИК  
КОМБИНИРОВАННЫЙ ВН./Р.**

| CODE<br>КОД | SIZE (Ø)<br>РАЗМЕР | 1 BOX QUANTITY<br>ЕД. В 1 КОРОБКЕ | WEIGHT (kg)<br>ВЕС ЗА ЕД. | BOX SIZE (m³)<br>РАЗМЕР КОРОБ. |
|-------------|--------------------|-----------------------------------|---------------------------|--------------------------------|
| 4421620     | Ø20 x 1/2"         | 175                               | 0,051                     | 0,027                          |
| 4421621     | Ø20 x 3/4"         | 100                               | 0,067                     | 0,027                          |
| 44E1622     | Ø25 x 1/2"         | 150                               | 0,051                     | 0,027                          |
| 4421622     | Ø25 x 1/2" (LUX)   | 100                               | 0,065                     | 0,027                          |
| 4421625     | Ø25 x 3/4"         | 100                               | 0,080                     | 0,027                          |
| 4421626     | Ø32 x 1/2"         | 80                                | 0,116                     | 0,027                          |
| 4421627     | Ø32 x 3/4"         | 70                                | 0,118                     | 0,027                          |
| 4421632     | Ø32 x 1"           | 70                                | 0,995                     | 0,027                          |

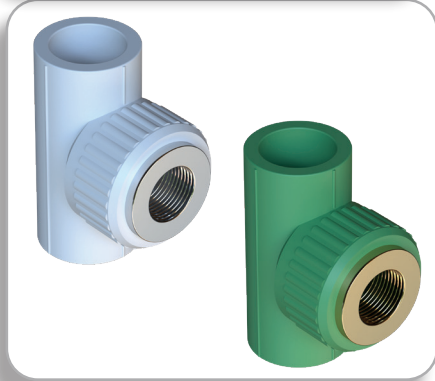


## PPR-C İÇ DİŞLİ DİRSEK / FEMALE ELBOW

УГОЛЬНИК КОМБИНИРОВАННЫЙ ВН./Р. Plastik O.F.S.

**Onur®**  
O.F.S.

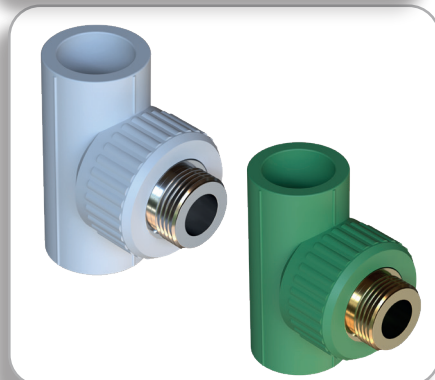
| CODE<br>КОД | SIZE (Ø)<br>РАЗМЕР | 1 BOX QUANTITY<br>ЕД. В 1 КОРОБКЕ | WEIGHT (kg)<br>ВЕС ЗА ЕД. | BOX SIZE (m <sup>3</sup> )<br>РАЗМЕР КОРОБ. |
|-------------|--------------------|-----------------------------------|---------------------------|---|
| 4421420     | Ø20 x 1/2"         | 300                               | 0,054                     | 0,027                                       |
| 4421421     | Ø20 x 3/4"         | 175                               | 0,080                     | 0,027                                       |
| 44E1422     | Ø25 x 1/2"         | 200                               | 0,047                     | 0,027                                       |
| 4421422     | Ø25 x 1/2" (LUX)   | 175                               | 0,056                     | 0,027                                       |
| 4421425     | Ø25 x 3/4"         | 175                               | 0,078                     | 0,027                                       |
| 4421426     | Ø32 x 1/2"         | 100                               | 0,095                     | 0,027                                       |
| 4421427     | Ø32 x 3/4"         | 100                               | 0,095                     | 0,027                                       |
| 4421432     | Ø32 x 1"           | 100                               | 0,094                     | 0,027                                       |



## PPR-C FUSION™ İÇ DİŞLİ TE / FUSION™ FEMALE TEE

FUSION™ ТРОЙНИК КОМБИНИРОВАННЫЙ ВН./Р.

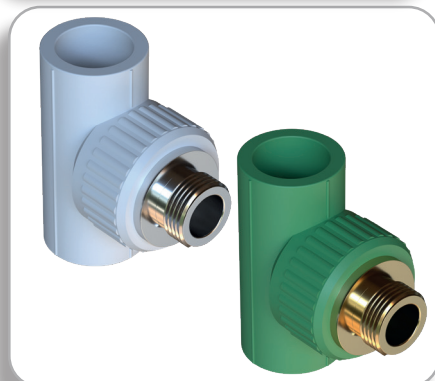
| CODE<br>КОД | SIZE (Ø)<br>РАЗМЕР | 1 BOX QUANTITY<br>ЕД. В 1 КОРОБКЕ | WEIGHT (kg)<br>ВЕС ЗА ЕД. | BOX SIZE (m <sup>3</sup> )<br>РАЗМЕР КОРОБ. |
|-------------|--------------------|-----------------------------------|---------------------------|---|
| 4428020     | Ø20 x 1/2"         | 150                               | 0,071                     | 0,027                                       |
| 4428022     | Ø25 x 1/2"         | 100                               | 0,101                     | 0,027                                       |



## PPR-C DİŞ DİŞLİ TE / MALE TEE

ТРОЙНИК КОМБИНИРОВАННЫЙ НАР./Р.

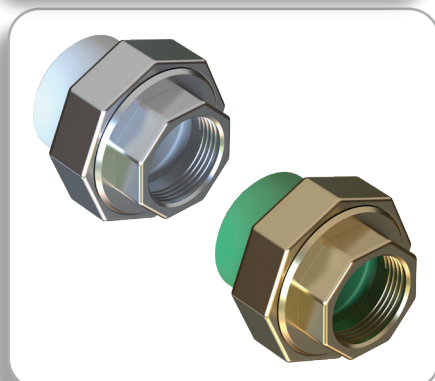
| CODE<br>КОД | SIZE (Ø)<br>РАЗМЕР | 1 BOX QUANTITY<br>ЕД. В 1 КОРОБКЕ | WEIGHT (kg)<br>ВЕС ЗА ЕД. | BOX SIZE (m <sup>3</sup> )<br>РАЗМЕР КОРОБ. |
|-------------|--------------------|-----------------------------------|---------------------------|---|
| 4421720     | Ø20 x 1/2"         | 150                               | 0,077                     | 0,027                                       |
| 4421721     | Ø20 x 3/4"         | 100                               | 0,103                     | 0,027                                       |
| 44E1722     | Ø25 x 1/2"         | 150                               | 0,056                     | 0,027                                       |
| 4421722     | Ø25 x 1/2" (LUX)   | 100                               | 0,112                     | 0,027                                       |
| 4421725     | Ø25 x 3/4"         | 100                               | 0,100                     | 0,027                                       |
| 4421726     | Ø32 x 1/2"         | 70                                | 0,135                     | 0,027                                       |
| 4421727     | Ø32 x 3/4"         | 70                                | 0,140                     | 0,027                                       |
| 4421732     | Ø32 x 1"           | 50                                | 0,162                     | 0,027                                       |



## PPR-C FUSION™ DİŞ DİŞLİ TE / FUSION™ MALE TEE

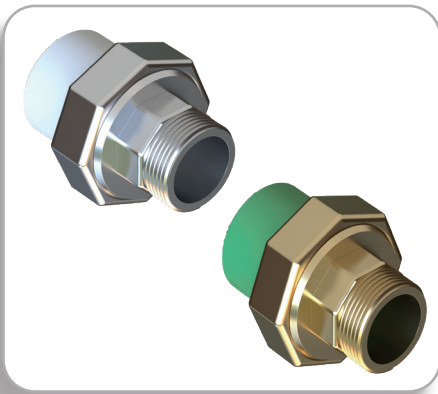
FUSION™ ТРОЙНИК КОМБИНИРОВАННЫЙ НАР./Р.

| CODE<br>КОД | SIZE (Ø)<br>РАЗМЕР | 1 BOX QUANTITY<br>ЕД. В 1 КОРОБКЕ | WEIGHT (kg)<br>ВЕС ЗА ЕД. | BOX SIZE (m <sup>3</sup> )<br>РАЗМЕР КОРОБ. |
|-------------|--------------------|-----------------------------------|---------------------------|---|
| 4428120     | Ø20 x 1/2"         | 125                               | 0,090                     | 0,027                                       |
| 4428122     | Ø25 x 1/2"         | 100                               | 0,140                     | 0,027                                       |



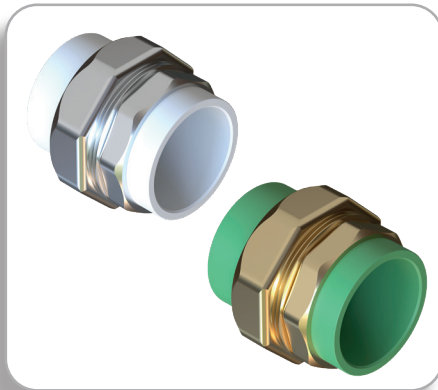
## PPR-C OYNAR BAŞLIKLİ İÇ DİŞLİ RAKOR / FEMALE HEX. CONNECTION / МУФТА КОМБИНИРОВАННАЯ РАЗЪЕМНАЯ ВН./Р.

| CODE<br>КОД | SIZE (Ø)<br>РАЗМЕР | 1 BOX QUANTITY<br>ЕД. В 1 КОРОБКЕ | WEIGHT (kg)<br>ВЕС ЗА ЕД. | BOX SIZE (m <sup>3</sup> )<br>РАЗМЕР КОРОБ. |
|-------------|--------------------|-----------------------------------|---------------------------|---|
| 4422320     | Ø20 x 1/2"         | 300                               | 0,061                     | 0,027                                       |
| 4422325     | Ø25 x 3/4"         | 200                               | 0,096                     | 0,027                                       |
| 4422332     | Ø32 x 1"           | 160                               | 0,114                     | 0,027                                       |
| 4422340     | Ø40 x 1 1/4"       | 90                                | 0,180                     | 0,027                                       |
| 4422350     | Ø50 x 1 1/2"       | 50                                | 0,341                     | 0,027                                       |
| 4422363     | Ø63 x 2"           | 25                                | 0,602                     | 0,027                                       |
| 4422375     | Ø75 x 2 1/2"       | 18                                | 0,963                     | 0,027                                       |
| 4422390     | Ø90 x 3"           | 10                                | 1,701                     | 0,027                                       |



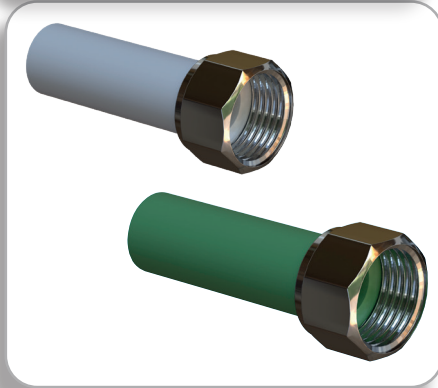
**PPR-C OYNAR BAŞLIKLİ DIŞ DIŞLİ RAKOR**  
**MALE HEX. CONNECTION / МУФТА**  
**КОМБИНИРОВАННАЯ РАЗЪЕМНАЯ НАР.Р.**

| CODE<br>КОД | SIZE (Ø)<br>РАЗМЕР | 1 BOX QUANTITY<br>ЕД. В 1 КОРОБКЕ | WEIGHT (kg)<br>ВЕС ЗА ЕД. | BOX SIZE (m <sup>3</sup> )<br>РАЗМЕР КОРОБ. |
|-------------|--------------------|-----------------------------------|---------------------------|---|
| 4422420     | Ø20 x 1/2"         | 300                               | 0,069                     | 0,027                                       |
| 4422425     | Ø25 x 3/4"         | 200                               | 0,106                     | 0,027                                       |
| 4422432     | Ø32 x 1"           | 120                               | 0,124                     | 0,027                                       |
| 4422440     | Ø40 x 1 1/4"       | 70                                | 0,208                     | 0,027                                       |
| 4422450     | Ø50 x 1 1/2"       | 50                                | 0,360                     | 0,027                                       |
| 4422463     | Ø63 x 2"           | 32                                | 0,760                     | 0,027                                       |
| 4422475     | Ø75 x 2 1/2"       | 12                                | 0,960                     | 0,027                                       |
| 4422490     | Ø90 x 3"           | 7                                 | 1,950                     | 0,027                                       |



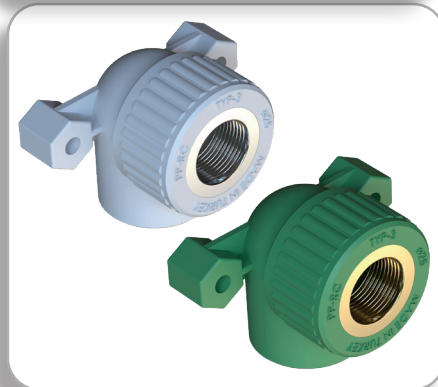
**PPR-C ÇİFT TARAFLI OYNAR BAŞLIKLİ RAKOR / DOUBLE  
 SIDED ADAPTOR / ДВОЙНАЯ РАЗЪЕМНАЯ МУФТА**

| CODE<br>КОД | SIZE (Ø)<br>РАЗМЕР | 1 BOX QUANTITY<br>ЕД. В 1 КОРОБКЕ | WEIGHT (kg)<br>ВЕС ЗА ЕД. | BOX SIZE (m <sup>3</sup> )<br>РАЗМЕР КОРОБ. |
|-------------|--------------------|-----------------------------------|---------------------------|---|
| 4422620     | Ø20 mm             | 180                               | 0,950                     | 0,027                                       |
| 4422625     | Ø25 mm             | 140                               | 0,115                     | 0,027                                       |
| 4422632     | Ø32 mm             | 100                               | 0,172                     | 0,027                                       |
| 4422640     | Ø40 mm             | 80                                | 0,268                     | 0,027                                       |
| 4422650     | Ø50 mm             | 50                                | 0,396                     | 0,027                                       |
| 4422663     | Ø63 mm             | 25                                | 0,610                     | 0,027                                       |



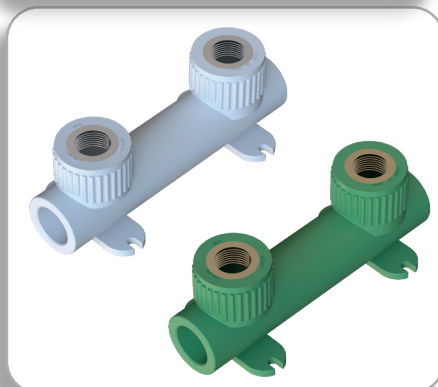
**PPR-C SU SAYACI ADAPTÖRÜ / WATER METER ADAPTOR /  
 ДВОЙНАЯ РАЗЪЕМНАЯ МУФТА**

| CODE<br>КОД | SIZE (Ø)<br>РАЗМЕР | 1 BOX QUANTITY<br>ЕД. В 1 КОРОБКЕ | WEIGHT (kg)<br>ВЕС ЗА ЕД. | BOX SIZE (m <sup>3</sup> )<br>РАЗМЕР КОРОБ. |
|-------------|--------------------|-----------------------------------|---------------------------|---|
| 4428625     | Ø25x1 mm           | 140                               | 0,200                     | 0,027                                       |



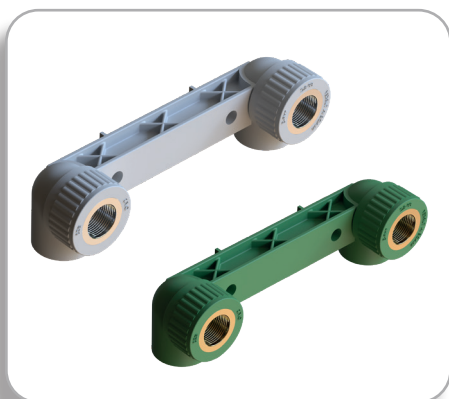
**PPR-C TEKLİ BATARYA BAĞ. / FEMALE BATTERY CONN.  
 PİECE / УГОЛЬНИК КОМ. С КРЕПЛЕНИЕМ В/Р.**

| CODE<br>КОД | SIZE (Ø)<br>РАЗМЕР | 1 BOX QUANTITY<br>ЕД. В 1 КОРОБКЕ | WEIGHT (kg)<br>ВЕС ЗА ЕД. | BOX SIZE (m <sup>3</sup> )<br>РАЗМЕР КОРОБ. |
|-------------|--------------------|-----------------------------------|---------------------------|---|
| 4420620     | Ø20 x 1/2"         | 140                               | 0,054                     | 0,027                                       |
| 4420621     | Ø20 x 1/2" DD      | 120                               | 0,078                     | 0,027                                       |
| 4420622     | Ø25 x 1/2"         | 140                               | 0,068                     | 0,027                                       |
| 4420625     | Ø25 x 3/4"         | 120                               | 0,075                     | 0,027                                       |



**PPR-C İÇ DIŞLİ TAHARAT BATARYASI (10,5cm)**  
**FEMALE WC BATTERY CONNECTION / НАСТЕННЫЙ  
 КОМПЛЕКТ ДЛЯ ГИБКОЙ ПОДВОДКИ**

| CODE<br>КОД | SIZE (Ø)<br>РАЗМЕР | 1 BOX QUANTITY<br>ЕД. В 1 КОРОБКЕ | WEIGHT (kg)<br>ВЕС ЗА ЕД. | BOX SIZE (m <sup>3</sup> )<br>РАЗМЕР КОРОБ. |
|-------------|--------------------|-----------------------------------|---------------------------|---|
| 4424920     | Ø20 x 1/2"         | 80                                | 0,108                     | 0,027                                       |



**PPR-C (15,5cm) SABİT BATARYA BAĞ. iç Diş**  
**FEMALE DOUBLE BATTERY CON. /**  
**НАСТЕННЫЙ КОМПЛЕКТ ДЛЯ СМЕСИТЕЛЯ ВН./Р.**

| CODE<br>КОД | SIZE (Ø)<br>РАЗМЕР | 1 BOX QUANTITY<br>ЕД. В 1 КОРОБКЕ | WEIGHT (kg)<br>ВЕС ЗА ЕД. | BOX SIZE (m³)<br>РАЗМЕР КОРОБ. |
|-------------|--------------------|-----------------------------------|---------------------------|--------------------------------|
| 4424120     | Ø20x1/2"           | 50                                | -                         | 0,027                          |
| 4424122     | Ø25x1/2"           | 50                                | -                         | 0,027                          |



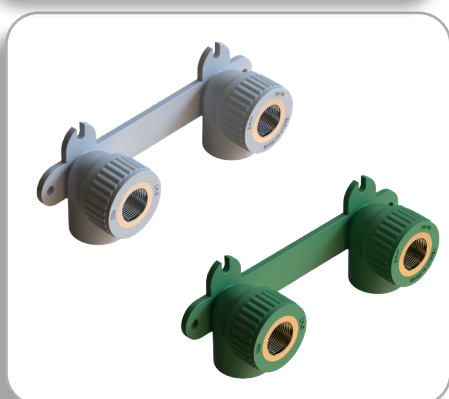
**PPR-C (15,5cm) FUSION™ SABİT BATARYA BAĞ. iç Diş**  
**FUSION™ FEMALE DOUBLE BATTERY CON.**  
**FUSION™ НАСТЕННЫЙ КОМПЛЕКТ ДЛЯ**  
**СМЕСИТЕЛЯ ВН./Р.**

| CODE<br>КОД | SIZE (Ø)<br>РАЗМЕР | 1 BOX QUANTITY<br>ЕД. В 1 КОРОБКЕ | WEIGHT (kg)<br>ВЕС ЗА ЕД. | BOX SIZE (m³)<br>РАЗМЕР КОРОБ. |
|-------------|--------------------|-----------------------------------|---------------------------|--------------------------------|
| 4428620     | Ø20x1/2"           | 50                                | 0,181                     | 0,032                          |
| 4428622     | Ø25x1/2"           | 50                                | 0,175                     | 0,032                          |



**PPR-C (15,5cm) SABİT BATARYA BAĞ. Diş Diş**  
**MALE DOUBLE BATTERY CON. / НАСТЕННЫЙ**  
**КОМПЛЕКТ ДЛЯ СМЕСИТЕЛЯ НАР./Р.**

| CODE<br>КОД | SIZE (Ø)<br>РАЗМЕР | 1 BOX QUANTITY<br>ЕД. В 1 КОРОБКЕ | WEIGHT (kg)<br>ВЕС ЗА ЕД. | BOX SIZE (m³)<br>РАЗМЕР КОРОБ. |
|-------------|--------------------|-----------------------------------|---------------------------|--------------------------------|
| 4426820     | Ø20x1/2"           | 50                                | 0,142                     | 0,027                          |
| 4426822     | Ø25x1/2"           | 50                                | -                         | 0,027                          |



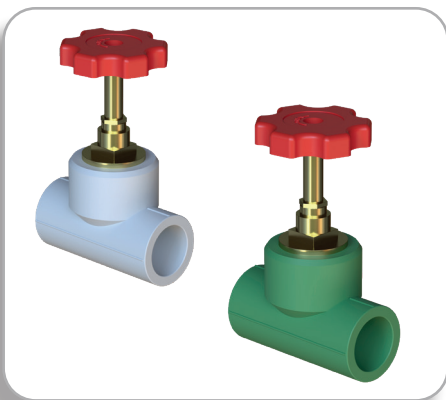
**PPR-C (10,5cm) KISA SABİT BATARYA BAĞ.**  
**FEMALE DOUBLE BATTERY CON. / НАСТЕННЫЙ**  
**КОМПЛЕКТ ДЛЯ СМЕСИТЕЛЯ КОРОТКИЙ**

| CODE<br>КОД | SIZE (Ø)<br>РАЗМЕР | 1 BOX QUANTITY<br>ЕД. В 1 КОРОБКЕ | WEIGHT (kg)<br>ВЕС ЗА ЕД. | BOX SIZE (m³)<br>РАЗМЕР КОРОБ. |
|-------------|--------------------|-----------------------------------|---------------------------|--------------------------------|
| 4425520     | Ø20x1/2"           | 60                                | 0,125                     | 0,032                          |
| 4425522     | Ø25x1/2"           | 60                                | 0,125                     | 0,032                          |



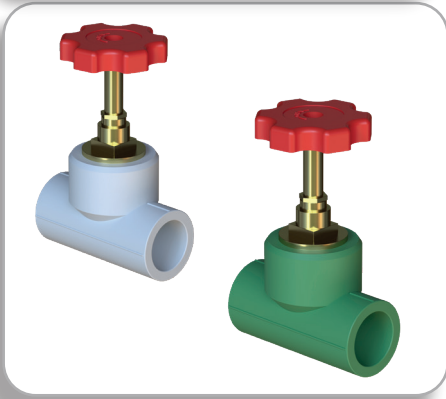
**PPR- C AYARLI BATARYA BAĞLANTISI / ADJUST-**  
**ABLE BATTERY CONNECTION / УНИВЕРСАЛЬНЫЙ**  
**НАСТЕННЫЙ КОМПЛЕКТ**

| CODE<br>КОД | SIZE (Ø)<br>РАЗМЕР | 1 BOX QUANTITY<br>ЕД. В 1 КОРОБКЕ | WEIGHT (kg)<br>ВЕС ЗА ЕД. | BOX SIZE (m³)<br>РАЗМЕР КОРОБ. |
|-------------|--------------------|-----------------------------------|---------------------------|--------------------------------|
| 4423120     | Ø20x1/2"           | 50                                | 0,125                     | 0,027                          |
| 4423122     | Ø25x1/2"           | 50                                | 0,121                     | 0,027                          |



## PPR-C KELEBEK VANA / STOP VALVE / ВЕНТИЛЬ

| CODE<br>КОД | SIZE (Ø)<br>РАЗМЕР | 1 BOX QUANTITY<br>ЕД. В 1 КОРОБКЕ | WEIGHT (kg)<br>ВЕС ЗА ЕД. | BOX SIZE (m <sup>3</sup> )<br>РАЗМЕР КОРОБ. |
|-------------|--------------------|-----------------------------------|---------------------------|---|
| 4421820     | Ø20 mm             | 80                                | 0,127                     | 0,027                                       |
| 4421821     | Ø20x3/4 mm         | 60                                | 0,185                     | 0,027                                       |
| 4421825     | Ø25 mm             | 60                                | 0,161                     | 0,027                                       |
| 4421832     | Ø32 mm             | 40                                | 0,245                     | 0,027                                       |
| 4421840     | Ø40 mm             | 30                                | 0,307                     | 0,027                                       |
| 4421850     | Ø50 mm             | 25                                | 0,334                     | 0,027                                       |
| 4421863     | Ø63 mm             | 16                                | 0,456                     | 0,027                                       |



## PPR-C METAL BAŞLI KELEBEK VANA / STOP VALVE WITH METAL HEAD / ЗАПОРНЫЙ КЛАПАН С МЕТАЛЛИЧЕСКОЙ ГОЛОВКОЙ

| CODE<br>КОД | SIZE (Ø)<br>РАЗМЕР | 1 BOX QUANTITY<br>ЕД. В 1 КОРОБКЕ | WEIGHT (kg)<br>ВЕС ЗА ЕД. | BOX SIZE (m <sup>3</sup> )<br>РАЗМЕР КОРОБ. |
|-------------|--------------------|-----------------------------------|---------------------------|---|
| 4429120     | Ø20 mm             | 80                                | 0,137                     | 0,027                                       |
| 4429121     | Ø20x3/4 mm         | 60                                | 0,195                     | 0,027                                       |
| 4429125     | Ø25 mm             | 60                                | 0,171                     | 0,027                                       |
| 4429132     | Ø32 mm             | 40                                | 0,255                     | 0,027                                       |
| 4429140     | Ø40 mm             | 30                                | 0,317                     | 0,027                                       |
| 4429150     | Ø50 mm             | 25                                | 0,344                     | 0,027                                       |
| 4429163     | Ø63 mm             | 16                                | 0,466                     | 0,027                                       |



## PPR-C KROMLU EKO LÜKS VANA / CHROME ECO VALVE LUX / ВЕНТИЛЬ ХРОМИРОВАННЫЙ

| CODE<br>КОД | SIZE (Ø)<br>РАЗМЕР | 1 BOX QUANTITY<br>ЕД. В 1 КОРОБКЕ | WEIGHT (kg)<br>ВЕС ЗА ЕД. | BOX SIZE (m <sup>3</sup> )<br>РАЗМЕР КОРОБ. |
|-------------|--------------------|-----------------------------------|---------------------------|---|
| 4421920     | Ø20 mm             | 50                                | 0,317                     | 0,027                                       |
| 4421925     | Ø25 mm             | 50                                | 0,340                     | 0,027                                       |
| 4421932     | Ø32 mm             | 40                                | 0,380                     | 0,027                                       |



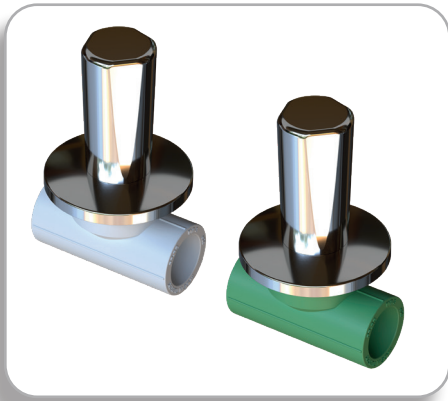
## PPR-C KROMLU LÜKS VANA / CHROME VALVE LUX / ВЕНТИЛЬ ХРОМИРОВАННЫЙ

| CODE<br>КОД | SIZE (Ø)<br>РАЗМЕР | 1 BOX QUANTITY<br>ЕД. В 1 КОРОБКЕ | WEIGHT (kg)<br>ВЕС ЗА ЕД. | BOX SIZE (m <sup>3</sup> )<br>РАЗМЕР КОРОБ. |
|-------------|--------------------|-----------------------------------|---------------------------|---|
| 4427120     | Ø20 mm             | 50                                | 0,317                     | 0,027                                       |
| 4427125     | Ø25 mm             | 50                                | 0,313                     | 0,027                                       |
| 4427132     | Ø32 mm             | 40                                | 0,380                     | 0,027                                       |



## PPR-C KROMLU DELÜKS VANA / CHROME VALVE DELUX / ВЕНТИЛЬ ХРОМИРОВАННЫЙ

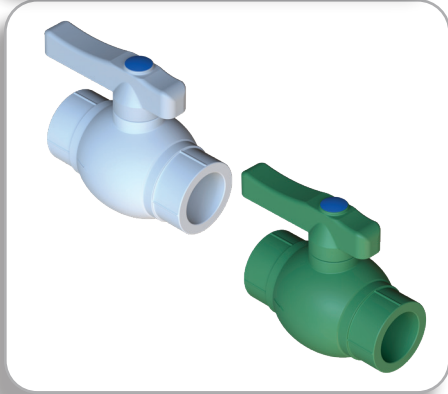
| CODE<br>КОД | SIZE (Ø)<br>РАЗМЕР | 1 BOX QUANTITY<br>ЕД. В 1 КОРОБКЕ | WEIGHT (kg)<br>ВЕС ЗА ЕД. | BOX SIZE (m <sup>3</sup> )<br>РАЗМЕР КОРОБ. |
|-------------|--------------------|-----------------------------------|---------------------------|---|
| 4427220     | Ø20 mm             | 50                                | 0,317                     | 0,027                                       |
| 4427225     | Ø25 mm             | 40                                | 0,344                     | 0,027                                       |
| 4427232     | Ø32 mm             | 30                                | 0,380                     | 0,027                                       |



## PPR-C KROMLU GİZLİ LÜKS VANA / CHROME HIDDEN VALVE LUX / ВЕНТИЛЬ ХРОМИРОВАННЫЙ

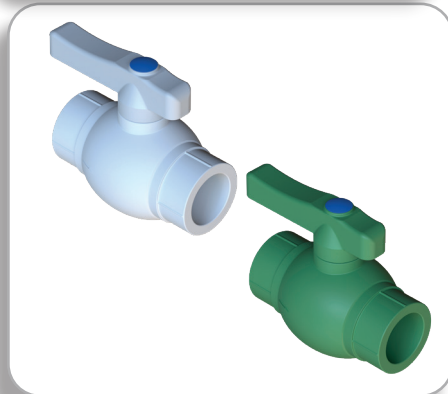
**Onur®**  
**Plastik**  
O.F.S.

| CODE<br>КОД | SIZE (Ø)<br>РАЗМЕР | 1 BOX QUANTITY<br>ЕД. В 1 КОРОБКЕ | WEIGHT (kg)<br>ВЕС ЗА ЕД. | BOX SIZE (m³)<br>РАЗМЕР КОРОБ. |
|-------------|--------------------|-----------------------------------|---------------------------|--------------------------------|
| 4427320     | Ø20 mm             | 50                                | 0,317                     | 0,027                          |
| 4427325     | Ø25 mm             | 50                                | 0,340                     | 0,027                          |
| 4427332     | Ø32 mm             | 30                                | 0,380                     | 0,027                          |



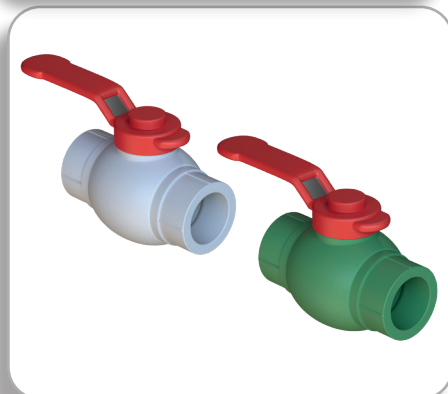
## PPR-C KÜRESEL VANA / BALL VALVE / ШАРОВОЙ КРАН

| CODE<br>КОД | SIZE (Ø)<br>РАЗМЕР | 1 BOX QUANTITY<br>ЕД. В 1 КОРОБКЕ | WEIGHT (kg)<br>ВЕС ЗА ЕД. | BOX SIZE (m³)<br>РАЗМЕР КОРОБ. |
|-------------|--------------------|-----------------------------------|---------------------------|--------------------------------|
| 4422520     | Ø20 mm             | 100                               | 0,097                     | 0,027                          |
| 4422525     | Ø25 mm             | 70                                | 0,118                     | 0,027                          |
| 4422532     | Ø32 mm             | 45                                | 0,188                     | 0,027                          |
| 4422540     | Ø40 mm             | 20                                | 0,362                     | 0,027                          |
| 4422550     | Ø50 mm             | 20                                | 0,500                     | 0,027                          |
| 4422563     | Ø63 mm             | 10                                | 0,775                     | 0,027                          |
| 4422575     | Ø75 mm             | 5                                 | 1,118                     | 0,027                          |
| 4422590     | Ø90 mm             | 0                                 | -                         | 0,027                          |



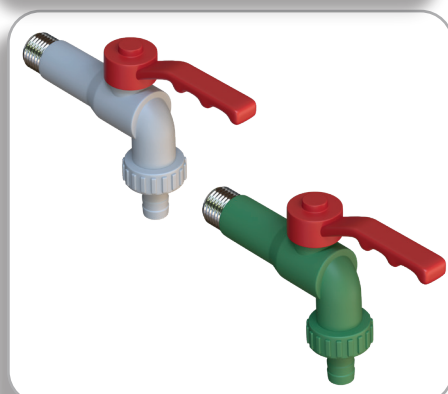
## PPR-C ECO. KÜRESEL VANA / BALL VALVE ECO. АЛ. ШАРОВОЙ КРАН

| CODE<br>КОД | SIZE (Ø)<br>РАЗМЕР | 1 BOX QUANTITY<br>ЕД. В 1 КОРОБКЕ | WEIGHT (kg)<br>ВЕС ЗА ЕД. | BOX SIZE (m³)<br>РАЗМЕР КОРОБ. |
|-------------|--------------------|-----------------------------------|---------------------------|--------------------------------|
| 44A2520     | Ø20 mm             | 100                               | 0,097                     | 0,027                          |
| 44A2525     | Ø25 mm             | 80                                | 0,118                     | 0,027                          |
| 44A2532     | Ø32 mm             | 50                                | 0,188                     | 0,027                          |
| 44A2540     | Ø40 mm             | 20                                | 0,048                     | 0,027                          |



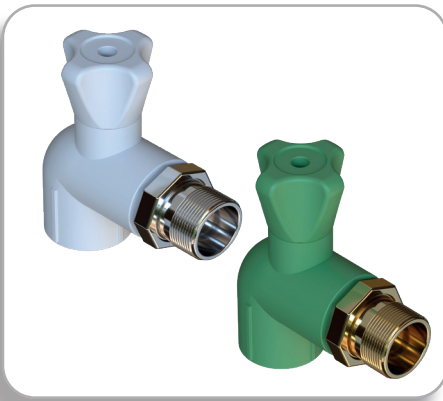
## PPR-C METAL SAPLI KÜRESEL VANA / BALL VALVE WITH METAL HANDLE / АЛ. ШАРОВОЙ КРАН

| CODE<br>КОД | SIZE (Ø)<br>РАЗМЕР | 1 BOX QUANTITY<br>ЕД. В 1 КОРОБКЕ | WEIGHT (kg)<br>ВЕС ЗА ЕД. | BOX SIZE (m³)<br>РАЗМЕР КОРОБ. |
|-------------|--------------------|-----------------------------------|---------------------------|--------------------------------|
| 4429320     | Ø20 mm             | 70                                | 0,074                     | 0,027                          |
| 4429325     | Ø25 mm             | 45                                | 0,110                     | 0,027                          |
| 4429332     | Ø32 mm             | 18                                | -                         | 0,027                          |



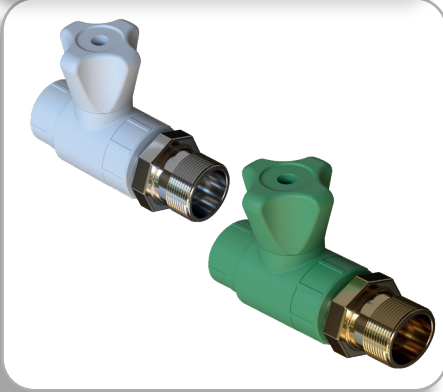
## PPR-C KÜRESEL VANA MUSLUĞU / BALL VALVE TAP / АЛ. ШАРОВОЙ КРАН

| CODE<br>КОД | SIZE (Ø)<br>РАЗМЕР | 1 BOX QUANTITY<br>ЕД. В 1 КОРОБКЕ | WEIGHT (kg)<br>ВЕС ЗА ЕД. | BOX SIZE (m³)<br>РАЗМЕР КОРОБ. |
|-------------|--------------------|-----------------------------------|---------------------------|--------------------------------|
| 4428420     | Ø20 mm             | 80                                | -                         | 0,027                          |



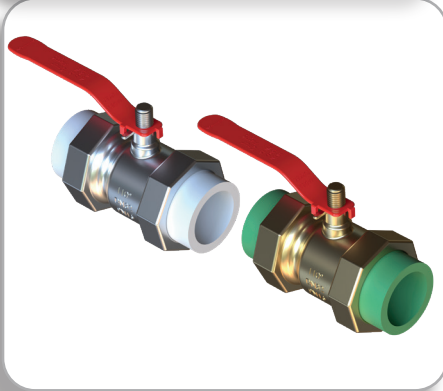
## PPR-C KÖŞE RADYATÖR VANASI / BALL RADIATOR VALVE ELBOW / ШАРОВОЙ КРАН ДЛЯ РАДИАТОРА УГОЛЬНИК

| CODE<br>КОД | SIZE (Ø)<br>РАЗМЕР | 1 BOX QUANTITY<br>ЕД. В 1 КОРОБКЕ | WEIGHT (kg)<br>ВЕС ЗА ЕД. | BOX SIZE (m <sup>3</sup> )<br>РАЗМЕР КОРОБ. |
|-------------|--------------------|-----------------------------------|---------------------------|---|
| 4423420     | Ø20x1/2"           | 100                               | 0,160                     | 0,027                                       |
| 4423425     | Ø25x3/4"           | 80                                | 0,215                     | 0,027                                       |



## PPR-C RADYATÖR VANASI DÜZ / BALL RADIATOR VALVE STRAIGHT / ШАРОВОЙ КРАН ДЛЯ РАДИАТОРА ПРЯМОЙ

| CODE<br>КОД | SIZE (Ø)<br>РАЗМЕР | 1 BOX QUANTITY<br>ЕД. В 1 КОРОБКЕ | WEIGHT (kg)<br>ВЕС ЗА ЕД. | BOX SIZE (m <sup>3</sup> )<br>РАЗМЕР КОРОБ. |
|-------------|--------------------|-----------------------------------|---------------------------|---|
| 4423520     | Ø20x1/2"           | 80                                | 0,196                     | 0,027                                       |
| 4423525     | Ø25x3/4"           | 80                                | 0,210                     | 0,027                                       |



## PPR-C METAL KÜRESEL VANA PLASTİK FLANŞ BAĞ. / METAL BALL VALVE WITH FLANGE / МЕТАЛЛИЧЕСКИЙ ШАРОВОЙ КРАН С ФЛАНЦЕОМ

| CODE<br>КОД | SIZE (Ø)<br>РАЗМЕР | 1 BOX QUANTITY<br>ЕД. В 1 КОРОБКЕ | WEIGHT (kg)<br>ВЕС ЗА ЕД. | BOX SIZE (m <sup>3</sup> )<br>РАЗМЕР КОРОБ. |
|-------------|--------------------|-----------------------------------|---------------------------|---|
| 4427420     | Ø20 mm             | -                                 | 0,232                     | 0,027                                       |
| 4427425     | Ø25 mm             | 50                                | 0,378                     | 0,027                                       |
| 4427432     | Ø32 mm             | 40                                | 0,492                     | 0,027                                       |
| 4427440     | Ø40 mm             | 25                                | 0,848                     | 0,027                                       |
| 4427450     | Ø50 mm             | 15                                | 1,200                     | 0,027                                       |
| 4427463     | Ø63 mm             | 10                                | 1,600                     | 0,027                                       |



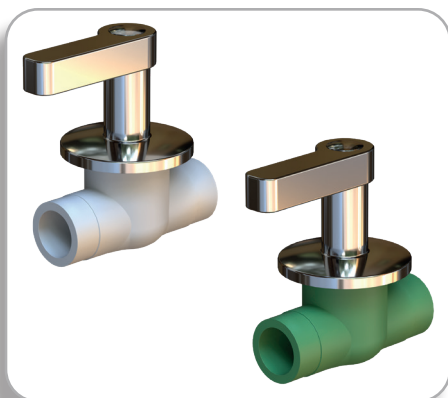
## PPR-C DELİKLİ DUŞ BATARYASI / HOLE SHOWER BATTERY / ОТВЕРСТИЕ ДУШЕВАЯ БАТАРЕЯ

| CODE<br>КОД | SIZE (Ø)<br>РАЗМЕР | 1 BOX QUANTITY<br>ЕД. В 1 КОРОБКЕ | WEIGHT (kg)<br>ВЕС ЗА ЕД. | BOX SIZE (m <sup>3</sup> )<br>РАЗМЕР КОРОБ. |
|-------------|--------------------|-----------------------------------|---------------------------|---|
| 4428725     | Ø25 mm             | -                                 | 0,330                     | 0,027                                       |

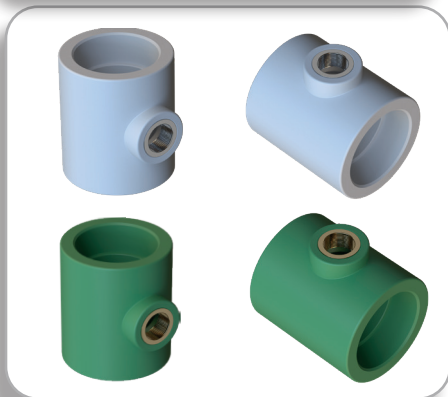


## PPR-C LÜX METAL VANA / LUX METAL VALVE / ЛЮКС МЕТАЛЛИЧЕСКИЙ КЛАПАН

| CODE<br>КОД | SIZE (Ø)<br>РАЗМЕР | 1 BOX QUANTITY<br>ЕД. В 1 КОРОБКЕ | WEIGHT (kg)<br>ВЕС ЗА ЕД. | BOX SIZE (m <sup>3</sup> )<br>РАЗМЕР КОРОБ. |
|-------------|--------------------|-----------------------------------|---------------------------|---|
| 4428820     | Ø20 mm             | -                                 | 0,232                     | 0,022                                       |
| 4428825     | Ø25 mm             | -                                 | 0,232                     | 0,022                                       |


**PPR-C LUX PİRİNÇ VANA / LUX BRASS VALVE /  
 ЛАТУННЫЙ КЛАПАН ЛЮКС**

| CODE<br>КОД | SIZE (Ø)<br>РАЗМЕР | 1 BOX QUANTITY<br>ЕД. В 1 КОРОБКЕ | WEIGHT (kg)<br>ВЕС ЗА ЕД. | BOX SIZE (m³)<br>РАЗМЕР КОРОБ. |
|-------------|--------------------|-----------------------------------|---------------------------|--------------------------------|
| 4429025     | Ø25 mm             | -                                 | 0,325                     | 0,027                          |
| 4429032     | Ø32 mm             | -                                 | -                         | 0,027                          |


**PPR-C İÇ DİŞLİ İNEGAL T TEKLİ / ÇİFTLİ / FEMALE  
 REDUCTION TEE PIECE / DOUBLE / ТРОЙНИК  
 ПЕРЕХОДНОЙ ВН.Р.**

| CODE<br>КОД | SIZE (Ø)<br>РАЗМЕР | 1 BOX QUANTITY<br>ЕД. В 1 КОРОБКЕ | WEIGHT (kg)<br>ВЕС ЗА ЕД. | BOX SIZE (m³)<br>РАЗМЕР КОРОБ. |
|-------------|--------------------|-----------------------------------|---------------------------|--------------------------------|
| 4424240     | Ø40x3 / 4x40 mm    | -                                 | 0,360                     | 0,027                          |
| 4424340     |                    |                                   | 0,393                     |                                |
| 4424250     | Ø50x3 / 4x50 mm    | -                                 | 0,310                     | 0,027                          |
| 4424350     |                    |                                   | 0,338                     |                                |
| 4424263     | Ø63x3 / 4x63 mm    | -                                 | 0,245                     | 0,027                          |
| 4424363     |                    |                                   | 0,272                     |                                |


**PPR-C HAKARETLİ REKOR / ADAPTER WITH  
 LOOSE NUT / МУФТА С НАКИДНОЙ ГАЙКОЙ**

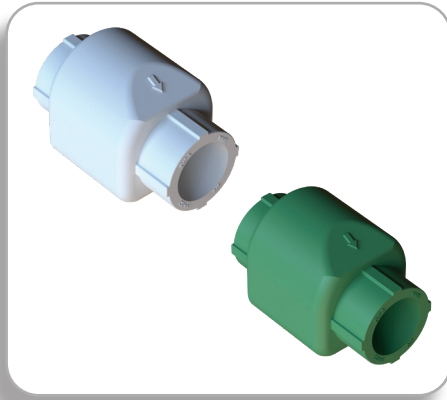
| CODE<br>КОД | SIZE (Ø)<br>РАЗМЕР | 1 BOX QUANTITY<br>ЕД. В 1 КОРОБКЕ | WEIGHT (kg)<br>ВЕС ЗА ЕД. | BOX SIZE (m³)<br>РАЗМЕР КОРОБ. |
|-------------|--------------------|-----------------------------------|---------------------------|--------------------------------|
| 4424720     | Ø20 x 1/2"         | 350                               | 0,040                     | 0,027                          |
| 4424725     | Ø25 x 3/4"         | 150                               | 0,056                     | 0,027                          |
| 4424732     | Ø32 x 1"           | 100                               | 0,104                     | 0,027                          |


**PPR-C HAKARETLİ DİRSEK / ELBOW WITH LOOSE NUT  
 УГОЛЬНИК С НАКИДНОЙ ГАЙКОЙ**

| CODE<br>КОД | SIZE (Ø)<br>РАЗМЕР | 1 BOX QUANTITY<br>ЕД. В 1 КОРОБКЕ | WEIGHT (kg)<br>ВЕС ЗА ЕД. | BOX SIZE (m³)<br>РАЗМЕР КОРОБ. |
|-------------|--------------------|-----------------------------------|---------------------------|--------------------------------|
| 4424820     | Ø20 x 1/2"         | 250                               | 0,054                     | 0,027                          |
| 4424825     | Ø25 x 3/4"         | 150                               | 0,065                     | 0,027                          |
| 4424832     | Ø32 x 1"           | 100                               | 0,110                     | 0,027                          |


**PPR-C FİLTRE / MALE FILTER / ФИЛЬТР**

| CODE<br>КОД | SIZE (Ø)<br>РАЗМЕР | 1 BOX QUANTITY<br>ЕД. В 1 КОРОБКЕ | WEIGHT (kg)<br>ВЕС ЗА ЕД. | BOX SIZE (m³)<br>РАЗМЕР КОРОБ. |
|-------------|--------------------|-----------------------------------|---------------------------|--------------------------------|
| 4425020     | Ø20 x 1/2"         | 150                               | 0,087                     | 0,027                          |
| 4425025     | Ø25 x 3/4"         | 100                               | 0,130                     | 0,027                          |



## PPR-C ÇEKVALF / CHECK VALVE / ОБРАТНЫЙ КЛАПАН

| CODE<br>КОД | SIZE (Ø)<br>РАЗМЕР | 1 BOX QUANTITY<br>ЕД. В 1 КОРОБКЕ | WEIGHT (kg)<br>ВЕС ЗА ЕД. | BOX SIZE (m <sup>3</sup> )<br>РАЗМЕР КОРОБ. |
|-------------|--------------------|-----------------------------------|---------------------------|---|
| 4426720     | Ø20 mm             | 100                               | 0,096                     | 0,027                                       |
| 4426725     | Ø25 mm             | 100                               | 0,098                     | 0,027                                       |
| 4426732     | Ø32 mm             | 75                                | 0,125                     | 0,027                                       |



## PPR-C KOMBİ BAĞLANTI SETİ / BOILER CONNECTION SET / СЕТ ДЛЯ КОМБИ

| CODE<br>КОД | SIZE (Ø)<br>РАЗМЕР | 1 BOX QUANTITY<br>ЕД. В 1 КОРОБКЕ | WEIGHT (kg)<br>ВЕС ЗА ЕД. | BOX SIZE (m <sup>3</sup> )<br>РАЗМЕР КОРОБ. |
|-------------|--------------------|-----------------------------------|---------------------------|---|
| 4425620     | Ø20mm - 25mm       | 1                                 | 0,485                     | 0,010                                       |
| 4425625     | Ø25mm - 25mm       | 1                                 | 0,500                     | 0,010                                       |
| 4425632     | Ø25mm - 25mm AL    | 1                                 | 0,500                     | 0,010                                       |
| 4425640     | Ø25mm - 25mm AL    | 1                                 | 0,500                     | 0,010                                       |

# PPR-C PIPE AND FITTINGS ACCESSORIES



## PPR-C KAYNAK RAFTASI / WELDING KIT / НАСАДКА ДЛЯ СВАРОЧНЕГО ОПАРАТА

| CODE<br>КОД | SIZE (Ø)<br>РАЗМЕР | 1 BOX QUANTITY<br>ЕД. В 1 КОРОБКЕ |
|-------------|--------------------|-----------------------------------|
| 6026316     | Ø16 mm             | 1                                 |
| 6026320     | Ø20 mm             | 1                                 |
| 6026325     | Ø25 mm             | 1                                 |
| 6026332     | Ø32 mm             | 1                                 |
| 6026340     | Ø40 mm             | 1                                 |
| 6026350     | Ø50 mm             | 1                                 |
| 6026363     | Ø63 mm             | 1                                 |
| 6026375     | Ø75 mm             | 1                                 |
| 6026390     | Ø90 mm             | 1                                 |
| 6026311     | Ø110 mm            | 1                                 |



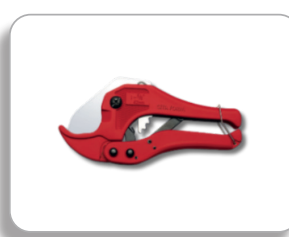
## KAYNAK MAKİNESİ / WELDING MACHINE / ЕСТ НАСОС С ЛАТУННЫМ ПОРШНЕМ

| CODE<br>КОД | SIZE (Ø)<br>РАЗМЕР | 1 BOX QUANTITY<br>ЕД. В 1 КОРОБКЕ |
|-------------|--------------------|-----------------------------------|
| 6023020     | Ø20 - Ø40 Eco      | 1                                 |
| 6023022     | Ø20 - Ø40          | 1                                 |
| 6023025     | Ø50 - Ø75          | 1                                 |



## TEST POMPASI / TEST PUMP ТЕСТ НАСОС С ЛАТУННЫМ ПОРШНЕМ

| CODE<br>КОД | SIZE (Ø)<br>РАЗМЕР | 1 BOX QUANTITY<br>ЕД. В 1 КОРОБКЕ |
|-------------|--------------------|-----------------------------------|
| 6026420     | 60bar              | 1                                 |



## PPR-C KESME MAKASI / PIPE CUTTER НОЖНИЦА ДЛЯ РЕЗКИ ТРУБ

| CODE<br>КОД | SIZE (Ø)<br>РАЗМЕР | 1 BOX QUANTITY<br>ЕД. В 1 КОРОБКЕ |
|-------------|--------------------|-----------------------------------|
| 6026520     | Ø16mm - 42mm       | 1                                 |
| 6026521     | Ø16mm - 42mm Auto  | 1                                 |
| 6026522     | Ø40mm - 63mm       | 1                                 |



## LASTIKLİ TRİFONLU KELEPÇE / CLAMP WITH TRIPHONE / ХОМУТ С ШПИЛЬКОЙ

**Onur®**  
**Plastik**  
O.F.S.

| CODE<br>КОД | SIZE (Ø)<br>РАЗМЕР | 1 BOX QUANTITY<br>ЕД. В 1 КОРОБКЕ | WEIGHT (kg)<br>ВЕС ЗА ЕД. | BOX SIZE (m³)<br>РАЗМЕР КОРОБ. |
|-------------|--------------------|-----------------------------------|---------------------------|--------------------------------|
| 60P1601     | Ø3/8" (17-23)      | 400                               | 0,046                     | 0,026                          |
| 60P1602     | Ø1/2" (21-26)      | 400                               | 0,049                     | 0,026                          |
| 60P1603     | Ø3/4" (26-30)      | 350                               | 0,062                     | 0,026                          |
| 60P1604     | Ø1" (33-37)        | 300                               | 0,077                     | 0,026                          |
| 60P1605     | Ø1 1/4" (40-46)    | 200                               | 0,082                     | 0,026                          |
| 60P1606     | Ø1 1/2" (48-53)    | 175                               | 0,088                     | 0,026                          |
| 60P1607     | Ø2" (60-66)        | 125                               | 0,090                     | 0,026                          |
| 60P1608     | Ø2 1/2" (75-84)    | 100                               | 0,188                     | 0,026                          |
| 60P1609     | Ø3" (87-96)        | 90                                | 0,220                     | 0,026                          |
| 60P1610     | Ø3 1/2" (97-105)   | 75                                | 0,220                     | 0,026                          |
| 60P1611     | Ø4" (109-119)      | 60                                | 0,250                     | 0,026                          |
| 60P1612     | Ø5" (135-148)      | 40                                | 0,300                     | 0,026                          |



## LASTIKLİ SOMUNLU KELEPÇE CLAMP WITH NUTS / ХОМУТ С ГАЙКОЙ

| CODE<br>КОД | SIZE (Ø)<br>РАЗМЕР | 1 BOX QUANTITY<br>ЕД. В 1 КОРОБКЕ | WEIGHT (kg)<br>ВЕС ЗА ЕД. | BOX SIZE (m³)<br>РАЗМЕР КОРОБ. |
|-------------|--------------------|-----------------------------------|---------------------------|--------------------------------|
| 60P1701     | Ø3/8" (17-23)      | 600                               | 0,048                     | 0,026                          |
| 60P1702     | Ø1/2" (21-26)      | 600                               | 0,050                     | 0,026                          |
| 60P1703     | Ø3/4" (26-30)      | 500                               | 0,049                     | 0,026                          |
| 60P1704     | Ø1" (33-37)        | 400                               | 0,058                     | 0,026                          |
| 60P1705     | Ø1 1/4" (40-46)    | 250                               | 0,066                     | 0,026                          |
| 60P1706     | Ø1 1/2" (48-53)    | 225                               | 0,061                     | 0,026                          |
| 60P1707     | Ø2" (60-66)        | 150                               | 0,091                     | 0,026                          |
| 60P1708     | Ø2 1/2" (75-84)    | 120                               | 0,179                     | 0,026                          |
| 60P1709     | Ø3" (87-96)        | 100                               | 0,225                     | 0,026                          |
| 60P1710     | Ø3 1/2" (97-105)   | 100                               | 0,248                     | 0,026                          |
| 60P1711     | Ø4" (109-119)      | 100                               | 0,267                     | 0,026                          |
| 60P1712     | Ø4 1/2" (121-127)  | 100                               | 0,296                     | 0,026                          |
| 60P1713     | Ø5" (135-148)      | 75                                | 0,246                     | 0,026                          |
| 60P1714     | Ø5 1/2" (151-164)  | 75                                | 0,282                     | 0,026                          |
| 60P1715     | Ø6" (158-170)      | 75                                | 0,320                     | 0,026                          |
| 60P1716     | Ø7" (194-205)      | 75                                | 0,328                     | 0,026                          |
| 60P1717     | Ø8" (214-225)      | 50                                | 0,348                     | 0,026                          |
| 60P1718     | Ø10" (270-276)     | 40                                | 0,360                     | 0,026                          |



## LASTIKLİ SET KELEPÇE / CLAMP WITH SET ХОМУТ КОМПЛЕКТ

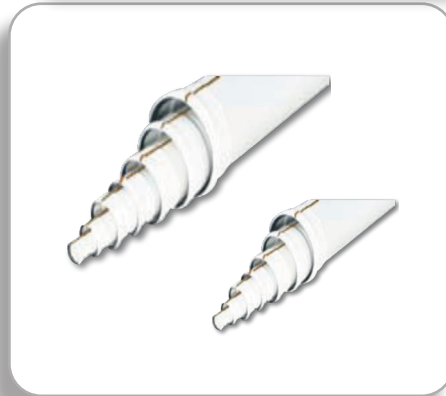
| CODE<br>КОД | SIZE (Ø)<br>РАЗМЕР | 1 BOX QUANTITY<br>ЕД. В 1 КОРОБКЕ | WEIGHT (kg)<br>ВЕС ЗА ЕД. | BOX SIZE (m³)<br>РАЗМЕР КОРОБ. |
|-------------|--------------------|-----------------------------------|---------------------------|--------------------------------|
| 60P1801     | Ø3/8" (17-23)      | 400                               | 0,048                     | 0,026                          |
| 60P1802     | Ø1/2" (21-26)      | 400                               | 0,050                     | 0,026                          |
| 60P1803     | Ø3/4" (26-30)      | 350                               | 0,049                     | 0,026                          |
| 60P1804     | Ø1" (33-37)        | 250                               | 0,058                     | 0,026                          |
| 60P1805     | Ø1 1/4" (40-46)    | 200                               | 0,066                     | 0,026                          |
| 60P1806     | Ø1 1/2" (48-53)    | 200                               | 0,061                     | 0,026                          |
| 60P1807     | Ø2" (60-66)        | 150                               | 0,099                     | 0,026                          |
| 60P1808     | Ø2 1/2" (75-84)    | 120                               | 0,179                     | 0,026                          |
| 60P1809     | Ø3" (87-96)        | 100                               | 0,225                     | 0,026                          |
| 60P1810     | Ø3 1/2" (97-105)   | 100                               | 0,248                     | 0,026                          |
| 60P1811     | Ø4" (109-119)      | 100                               | 0,267                     | 0,026                          |
| 60P1812     | Ø4 1/2" (121-127)  | 50                                | 0,296                     | 0,026                          |
| 60P1813     | Ø5" (135-148)      | 40                                | 0,246                     | 0,026                          |
| 60P1814     | Ø5 1/2" (151-164)  | 30                                | -                         | 0,026                          |
| 60P1815     | Ø6" (158-170)      | 30                                | -                         | 0,026                          |
| 60P1816     | Ø7" (194-205)      | 30                                | -                         | 0,026                          |
| 60P1817     | Ø8" (214-225)      | 25                                | -                         | 0,026                          |
| 60P1818     | Ø10" (270-276)     | 25                                | -                         | 0,026                          |



## LASTIKLİ AĞIR YÜK KELEPÇESİ / WIDE HEAVY LOAD CLAMP / ХОМУТ ТЯЖЁЛОЙ НАГРУЗКИ

| CODE<br>КОД | SIZE (Ø)<br>РАЗМЕР | 1 BOX QUANTITY<br>ЕД. В 1 КОРОБКЕ | WEIGHT (kg)<br>ВЕС ЗА ЕД. | BOX SIZE (m <sup>3</sup> )<br>РАЗМЕР КОРОБ. |
|-------------|--------------------|-----------------------------------|---------------------------|---|
| 60P1901     | Ø1/2" (21-26)      | 100                               | -                         | 0,026                                       |
| 60P1902     | Ø3/4" (26-30)      | 100                               | -                         | 0,026                                       |
| 60P1903     | Ø1" (33-37)        | 100                               | -                         | 0,026                                       |
| 60P1904     | Ø1 1/4" (40-46)    | 100                               | -                         | 0,026                                       |
| 60P1905     | Ø1 1/2" (48-53)    | 100                               | -                         | 0,026                                       |
| 60P1906     | Ø2" (60-66)        | 80                                | -                         | 0,026                                       |
| 60P1907     | Ø2 1/2" (60-66)    | 50                                | -                         | 0,026                                       |
| 60P1908     | Ø3" (87-96)        | 50                                | -                         | 0,026                                       |
| 60P1909     | Ø4" (109-119)      | 50                                | -                         | 0,026                                       |
| 60P1910     | Ø5" (135-148)      | 25                                | -                         | 0,026                                       |
| 60P1911     | Ø6" (158-170)      | 25                                | -                         | 0,026                                       |
| 60P1912     | Ø8" (214-225)      | 25                                | -                         | 0,026                                       |
| 60P1913     | Ø10" (270-276)     | 20                                | -                         | 0,026                                       |

## PVC PIPE AND FITTINGS



### PVC ATIK SU BORUSU / WASTE WATER PIPE / ТРУБА КАНАЛИЗАЦИОННАЯ

| CODE<br>КОД | SIZE (Ø)<br>РАЗМЕР | 1 BOX QUANTITY<br>ЕД. В 1 КОРОБКЕ | WEIGHT (kg)<br>ВЕС ЗА ЕД. |
|-------------|--------------------|-----------------------------------|---------------------------|
| 60BOR01     | Ø50 / 1000mm       | 5                                 | 0,826                     |
| 60BOR02     | Ø50 / 2000mm       | 5                                 | 1,606                     |
| 60BOR03     | Ø50 / 3000mm       | 5                                 | 2,386                     |
| 60BOR04     | Ø50 / 6000mm       | 1                                 | 4,726                     |
| 60BOR05     | Ø75 / 500mm        | 20                                | 0,665                     |
| 60BOR06     | Ø75 / 1000mm       | 5                                 | 1,240                     |
| 60BOR07     | Ø75 / 2000mm       | 5                                 | 2,390                     |
| 60BOR08     | Ø75 / 3000mm       | 5                                 | 3,540                     |
| 60BOR09     | Ø75 / 6000mm       | 1                                 | 6,990                     |
| 60BOR10     | Ø110 / 150mm       | 35                                | 0,403                     |
| 60BOR11     | Ø110 / 250mm       | 21                                | 0,578                     |
| 60BOR12     | Ø110 / 500mm       | 10                                | 1,016                     |
| 60BOR13     | Ø110 / 1000mm      | 3                                 | 1,891                     |
| 60BOR14     | Ø110 / 2000mm      | 3                                 | 3,641                     |
| 60BOR15     | Ø110 / 3000mm      | 3                                 | 5,391                     |
| 60BOR16     | Ø110 / 6000mm      | 1                                 | 10,64                     |
| 60BOR17     | Ø160 / 1000mm      | 1                                 | 3,409                     |
| 60BOR18     | Ø160 / 2000mm      | 1                                 | 6,459                     |
| 60BOR19     | Ø160 / 3000mm      | 1                                 | 9,509                     |
| 60BOR20     | Ø160 / 6000mm      | 1                                 | 18,650                    |



### PVC (45°) DİRSEK / ELBOW / УГОЛЬНИК

| CODE<br>КОД | SIZE (Ø)<br>РАЗМЕР | 1 BOX QUANTITY<br>ЕД. В 1 КОРОБКЕ | WEIGHT (kg)<br>ВЕС ЗА ЕД. |
|-------------|--------------------|-----------------------------------|---------------------------|
| 60D4501     | 45° Ø50mm          | 200                               | 0,088                     |
| 60D4502     | 45° Ø75mm          | 100                               | 0,159                     |
| 60D4503     | 45° Ø110mm         | 35                                | 0,292                     |
| 60D4504     | 45° Ø125mm         | 20                                | 0,390                     |
| 60D4505     | 45° Ø160mm         | 15                                | 0,633                     |
| 60D4506     | 45° Ø200mm         | 5                                 | 1,171                     |
| 60D4507     | 45° Ø250mm         | 3                                 | 2,280                     |

## PVC (90°) DİRSEK / ELBOW / УГОЛЬНИК



| CODE<br>КОД | SIZE (Ø)<br>РАЗМЕР | 1 BOX QUANTITY<br>ЕД. В 1 КОРОБКЕ | WEIGHT (kg)<br>ВЕС ЗА ЕД. |
|-------------|--------------------|-----------------------------------|---------------------------|
| 60D8701     | 87° Ø50mm          | 200                               | 0,108                     |
| 60D8702     | 87° Ø75mm          | 75                                | 0,184                     |
| 60D8703     | 87° Ø110mm         | 30                                | 0,350                     |
| 60D8704     | 45° Ø125mm         | 18                                | 0,452                     |
| 60D8705     | 87° Ø160mm         | 10                                | 0,802                     |
| 60D8706     | 45° Ø200mm         | 4                                 | 1,572                     |
| 60D8707     | 45° Ø250mm         | 2                                 | 3,070                     |

## PVC (45°) ТЕК ÇATAL / BRANCH / ТРОЙНИК



| CODE<br>КОД | SIZE (Ø)<br>РАЗМЕР   | 1 BOX QUANTITY<br>ЕД. В 1 КОРОБКЕ | WEIGHT (kg)<br>ВЕС ЗА ЕД. |
|-------------|----------------------|-----------------------------------|---------------------------|
| 60T4501     | 45° / Ø50 / Ø50 mm   | 100                               | 0,170                     |
| 60T4502     | 45° / Ø75 / Ø50 mm   | 50                                | 0,233                     |
| 60T4503     | 45° / Ø75 / Ø75 mm   | 45                                | 0,320                     |
| 60T4504     | 45° / Ø110 / Ø50 mm  | 20                                | 0,394                     |
| 60T4505     | 45° / Ø110 / Ø75 mm  | 15                                | 0,479                     |
| 60T4506     | 45° / Ø110 / Ø110 mm | 15                                | 0,637                     |
| 60T4507     | 45° / Ø125 / Ø125 mm | 12                                | 0,835                     |
| 60T4508     | 45° / Ø160 / Ø110 mm | 5                                 | 1,117                     |
| 60T4509     | 45° / Ø160 / Ø125 mm | 10                                | 1,256                     |
| 60T4510     | 45° / Ø160 / Ø160 mm | 4                                 | 1,681                     |
| 60T4511     | 45° / Ø200 / Ø110 mm | 5                                 | 1,610                     |
| 60T4512     | 45° / Ø200 / Ø160 mm | 4                                 | 1,992                     |
| 60T4513     | 45° / Ø200 / Ø200 mm | 2                                 | 2,586                     |

## PVC (90°) ТЕК ÇATAL / BRANCH / ТРОЙНИК



| CODE<br>КОД | SIZE (Ø)<br>РАЗМЕР   | 1 BOX QUANTITY<br>ЕД. В 1 КОРОБКЕ | WEIGHT (kg)<br>ВЕС ЗА ЕД. |
|-------------|----------------------|-----------------------------------|---------------------------|
| 60T8701     | 87° / Ø50 / Ø50 mm   | 100                               | 0,137                     |
| 60T8702     | 87° / Ø75 / Ø50 mm   | 50                                | 0,219                     |
| 60T8703     | 87° / Ø75 / Ø75 mm   | 20                                | 0,406                     |
| 60T8704     | 87° / Ø110 / Ø50 mm  | 25                                | 0,341                     |
| 60T8705     | 87° / Ø110 / Ø75 mm  | 20                                | 0,406                     |
| 60T8706     | 87° / Ø110 / Ø110 mm | 16                                | 0,505                     |
| 60T8707     | 87° / Ø125 / Ø125 mm | 16                                | 0,710                     |
| 60T8708     | 87° / Ø160 / Ø110 mm | 6                                 | 0,984                     |
| 60T8709     | 87° / Ø160 / Ø125 mm | 6                                 | 1,008                     |
| 60T8710     | 87° / Ø160 / Ø160 mm | 6                                 | 1,117                     |
| 60T8711     | 87° / Ø200 / Ø110 mm | 6                                 | 1,426                     |
| 60T8712     | 87° / Ø200 / Ø160 mm | 4                                 | 1,584                     |
| 60T8713     | 87° / Ø200 / Ø200 mm | 4                                 | 2,009                     |

## PVC (45°) ÇİFT ÇATAL / DOUBLE BRANCH / КРЕСТОВИНА



| CODE<br>КОД | SIZE (Ø)<br>РАЗМЕР   | 1 BOX QUANTITY<br>ЕД. В 1 КОРОБКЕ | WEIGHT (kg)<br>ВЕС ЗА ЕД. |
|-------------|----------------------|-----------------------------------|---------------------------|
| 60DT451     | 45° / Ø50 / Ø50 mm   | 70                                | 0,233                     |
| 60DT452     | 45° / Ø75 / Ø50 mm   | 50                                | 0,308                     |
| 60DT453     | 45° / Ø75 / Ø75 mm   | 30                                | 0,443                     |
| 60DT454     | 45° / Ø110 / Ø50 mm  | 20                                | 0,431                     |
| 60DT455     | 45° / Ø110 / Ø75 mm  | 15                                | 0,558                     |
| 60DT456     | 45° / Ø110 / Ø110 mm | 10                                | 0,773                     |
| 60DT457     | 45° / Ø125 / Ø125 mm | 5                                 | 1,072                     |



## PVC (90°) ÇİFT ÇATAL / DUBLE BRANCH / КРЕСТОВИНА

| CODE<br>КОД | SIZE (Ø)<br>РАЗМЕР   | 1 BOX QUANTITY<br>ЕД. В 1 КОРОБКЕ | WEIGHT (kg)<br>ВЕС ЗА ЕД. |
|-------------|----------------------|-----------------------------------|---------------------------|
| 60DT871     | 87° / Ø50 / Ø50 mm   | 70                                | 0,192                     |
| 60DT872     | 87° / Ø75 / Ø50 mm   | 50                                | 0,262                     |
| 60DT873     | 87° / Ø75 / Ø75 mm   | 30                                | 0,330                     |
| 60DT874     | 87° / Ø110 / Ø50 mm  | 20                                | 0,358                     |
| 60DT875     | 87° / Ø110 / Ø75 mm  | 15                                | 0,474                     |
| 60DT876     | 87° / Ø110 / Ø110 mm | 10                                | 0,604                     |
| 60DT877     | 87° / Ø125 / Ø125 mm | 5                                 | 0,716                     |



## PVC KAYAR MANŞON / SLIDING SOCKET / МУФТА СОЕДИНИТЕЛЬНАЯ

| CODE<br>КОД | SIZE (Ø)<br>РАЗМЕР | 1 BOX QUANTITY<br>ЕД. В 1 КОРОБКЕ | WEIGHT (kg)<br>ВЕС ЗА ЕД. |
|-------------|--------------------|-----------------------------------|---------------------------|
| 60MAN01     | Ø50 mm             | 200                               | 0,102                     |
| 60MAN02     | Ø75 mm             | 100                               | 0,159                     |
| 60MAN03     | Ø110 mm            | 35                                | 0,288                     |
| 60MAN04     | Ø125 mm            | 30                                | 0,373                     |
| 60MAN05     | Ø160 mm            | 15                                | 0,568                     |
| 60MAN06     | Ø200 mm            | 8                                 | 1,095                     |
| 60MAN07     | Ø250 mm            | 4                                 | 2,379                     |



## PVC REDÜKSİYON / REDUCTION / РЕДУКТОР

| CODE<br>КОД | SIZE (Ø)<br>РАЗМЕР | 1 BOX QUANTITY<br>ЕД. В 1 КОРОБКЕ | WEIGHT (kg)<br>ВЕС ЗА ЕД. |
|-------------|--------------------|-----------------------------------|---------------------------|
| 60RED01     | Ø50 / Ø50 mm       | 150                               | 0,114                     |
| 60RED02     | Ø110 / Ø50 mm      | 50                                | 0,176                     |
| 60RED03     | Ø110 / Ø75 mm      | 70                                | 0,202                     |
| 60RED04     | Ø125 / Ø75 mm      | 30                                | 0,264                     |
| 60RED05     | Ø125 / Ø110 mm     | 30                                | 0,264                     |
| 60RED06     | Ø160 / Ø75 mm      | 10                                | 0,622                     |
| 60RED07     | Ø160 / Ø110 mm     | 20                                | 0,516                     |
| 60RED08     | Ø160 / Ø125 mm     | 20                                | 0,516                     |
| 60RED09     | Ø200 / Ø110 mm     | 10                                | 0,622                     |
| 60RED10     | Ø200 / Ø125 mm     | 10                                | 0,820                     |
| 60RED11     | Ø200 / Ø160 mm     | 10                                | 0,729                     |
| 60RED12     | Ø250 / Ø160 mm     | 10                                | 1,196                     |



## PVC MUF TAPASI / END CAP / ЗАГЛУШКА

| CODE<br>КОД | SIZE (Ø)<br>РАЗМЕР | 1 BOX QUANTITY<br>ЕД. В 1 КОРОБКЕ | WEIGHT (kg)<br>ВЕС ЗА ЕД. |
|-------------|--------------------|-----------------------------------|---------------------------|
| 60KAP01     | Ø50 mm             | 200                               | 500                       |
| 60KAP02     | Ø75 mm             | 100                               | 400                       |
| 60KAP03     | Ø110 mm            | 35                                | 150                       |
| 60KAP04     | Ø125 mm            | 30                                | 100                       |
| 60KAP05     | Ø160 mm            | 15                                | 80                        |


**PVC TEMİZLEME / CLEANING / РЕВИЗИЯ**

| CODE<br>КОД | SIZE (Ø)<br>РАЗМЕР | 1 BOX QUANTITY<br>ЕД. В 1 КОРОБКЕ | WEIGHT (kg)<br>ВЕС ЗА ЕД. |
|-------------|--------------------|-----------------------------------|---------------------------|
| 60TEM01     | Ø110 mm            | 16                                | 0,571                     |
| 60TEM02     | Ø125 mm            | 16                                | 0,740                     |
| 60TEM03     | Ø160 mm            | 6                                 | 1,222                     |
| 60TEM04     | Ø200 mm            | 4                                 | 1,901                     |


**PVC (45°) SIFON S / SIPHON ES / СИФОН S**

| CODE<br>КОД | SIZE (Ø)<br>РАЗМЕР | 1 BOX QUANTITY<br>ЕД. В 1 КОРОБКЕ | WEIGHT (kg)<br>ВЕС ЗА ЕД. |
|-------------|--------------------|-----------------------------------|---------------------------|
| 60PES02     | 45°Ø110 / Ø110 mm  | 10                                | 0,815                     |


**PVC (90°) SIFON S / SIPHON ES / СИФОН S**

| CODE<br>КОД | SIZE (Ø)<br>РАЗМЕР | 1 BOX QUANTITY<br>ЕД. В 1 КОРОБКЕ | WEIGHT (kg)<br>ВЕС ЗА ЕД. |
|-------------|--------------------|-----------------------------------|---------------------------|
| 60PES03     | 87°Ø110 / Ø110 mm  | 10                                | 0,815                     |


**PVC ÇEKVALF / CHECK VALVE / ОБРАТНЫЙ КЛАПАН**

| CODE<br>КОД | SIZE (Ø)<br>РАЗМЕР | 1 BOX QUANTITY<br>ЕД. В 1 КОРОБКЕ | WEIGHT (kg)<br>ВЕС ЗА ЕД. |
|-------------|--------------------|-----------------------------------|---------------------------|
| 60CEK01     | Ø110 mm            | 1                                 | 1,048                     |
| 60CEK02     | Ø125 mm            | 1                                 | 1,049                     |
| 60CEK03     | Ø160 mm            | 1                                 | 1,047                     |
| 60CEK04     | Ø200 mm            | 1                                 | 3,518                     |

**(180°) AYARLI TELLİ KADA / FLEXIBLE FOLDABLE TRAPE / СИФОН ДЛЯ УНИТАЗА**

| CODE<br>КОД | SIZE (Ø)<br>РАЗМЕР | 1 BOX QUANTITY<br>ЕД. В 1 КОРОБКЕ | WEIGHT (kg)<br>ВЕС ЗА ЕД. |
|-------------|--------------------|-----------------------------------|---------------------------|
| 60KAD01     | 180° Ø110mm        | 30                                | 0,399                     |

**PEX BORU / PEX TIG PIPE  
ПЕХ ТРУБА**

| CODE<br>КОД | SIZE (Ø)<br>РАЗМЕР | 1 BOX QUANTITY<br>ЕД. В 1 КОРОБКЕ | WEIGHT (kg)<br>ВЕС ЗА ЕД. |
|-------------|--------------------|-----------------------------------|---------------------------|
| 60PEX01     | Ø16mm-2.0mm        | 100 m                             | -                         |
| 60PEX02     | Ø20mm-2.0mm        | 100 m                             | -                         |

**(90°) AYARLI TELLİ KADA DİRSEK / FLEXIBLE FOLDABLE TRAPE / СИФОН ДЛЯ УНИТАЗА**

| CODE<br>КОД | SIZE (Ø)<br>РАЗМЕР | 1 BOX QUANTITY<br>ЕД. В 1 КОРОБКЕ | WEIGHT (kg)<br>ВЕС ЗА ЕД. |
|-------------|--------------------|-----------------------------------|---------------------------|
| 60KAD02     | 90° Ø110mm         | 20                                | 0,395                     |

**PEX OKSİJEN BARİYERLİ / PEX OXYGEN BARRIER  
ПЕХ КИСЛОРОДНЫЙ БАРЬЕР**

| CODE<br>КОД | SIZE (Ø)<br>РАЗМЕР | 1 BOX QUANTITY<br>ЕД. В 1 КОРОБКЕ | WEIGHT (kg)<br>ВЕС ЗА ЕД. |
|-------------|--------------------|-----------------------------------|---------------------------|
| 60PEX03     | Ø16mm-2.0mm        | 100 m                             | -                         |
| 60PEX04     | Ø20mm-2.0mm        | 100 m                             | -                         |

**DÜZ UZATMALI KADA CONTALI  
CONNECTS TRAP WC ELASTIC  
ДЛИННЫЙ ДОПОЛНИТЕЛЬНЫЙ СИФОН С РЕЗИНОЙ**

| CODE<br>КОД | SIZE (Ø)<br>РАЗМЕР | 1 BOX QUANTITY<br>ЕД. В 1 КОРОБКЕ | WEIGHT (kg)<br>ВЕС ЗА ЕД. |
|-------------|--------------------|-----------------------------------|---------------------------|
| 60KAD03     | Ø110mm             | 30                                | 0,318                     |

**PERT KILIFLI / PERT WITH COVER BLUE & RED  
PERT С КРЫШКОЙ СИНИЙ И КРАСНЫЙ**

| CODE<br>КОД | SIZE (Ø)<br>РАЗМЕР | 1 BOX QUANTITY<br>ЕД. В 1 КОРОБКЕ | WEIGHT (kg)<br>ВЕС ЗА ЕД. |
|-------------|--------------------|-----------------------------------|---------------------------|
| 60PERT05    | Ø16mm-2.0mm        | 100 m                             | -                         |
| 60PERT06    | Ø20mm-2.0mm        | 100 m                             | -                         |

**EKSANTRİK DÜZ KADA  
OFFSET RIGID WC CONNECTOR STRAIGHT  
ПРЯМОЙ ДОПОЛНИТЕЛЬНЫЙ СИФОН**

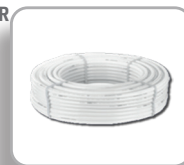
| CODE<br>КОД | SIZE (Ø)<br>РАЗМЕР | 1 BOX QUANTITY<br>ЕД. В 1 КОРОБКЕ | WEIGHT (kg)<br>ВЕС ЗА ЕД. |
|-------------|--------------------|-----------------------------------|---------------------------|
| 60KAD05     | Ø110mm             | 40                                | 0,242                     |

**PEX AL PEX BORU / AL PEX PIPE  
АЛ. ПЕХ ТРУБА**

| CODE<br>КОД | SIZE (Ø)<br>РАЗМЕР | 1 BOX QUANTITY<br>ЕД. В 1 КОРОБКЕ | WEIGHT (kg)<br>ВЕС ЗА ЕД. |
|-------------|--------------------|-----------------------------------|---------------------------|
| 60PEX07     | Ø16mm-2.0mm        | 100 m                             | -                         |
| 60PEX08     | Ø20mm-2.0mm        | 100 m                             | -                         |

**(20mm) EKSANTRİK KADA / OFFSET RIGID WC CONNECTOR  
ДОПОЛНИТЕЛЬНЫЙ СИФОН**

| CODE<br>КОД | SIZE (Ø)<br>РАЗМЕР | 1 BOX QUANTITY<br>ЕД. В 1 КОРОБКЕ | WEIGHT (kg)<br>ВЕС ЗА ЕД. |
|-------------|--------------------|-----------------------------------|---------------------------|
| 60KAD06     | Ø110mm             | 40                                | 0,264                     |

**PERT BORU / PERT PIPE  
ПЕРТ ТРУБА**

| CODE<br>КОД | SIZE (Ø)<br>РАЗМЕР | 1 BOX QUANTITY<br>ЕД. В 1 КОРОБКЕ | WEIGHT (kg)<br>ВЕС ЗА ЕД. |
|-------------|--------------------|-----------------------------------|---------------------------|
| 60PERT09    | Ø16mm-2.0mm        | 100 m                             | -                         |
| 60PERT10    | Ø20mm-2.0mm        | 100 m                             | -                         |

**(40mm) EKSANTRİK KADA / OFFSET RIGID WC  
CONNECTOR / ДОПОЛНИТЕЛЬНЫЙ СИФОН**

| CODE<br>КОД | SIZE (Ø)<br>РАЗМЕР | 1 BOX QUANTITY<br>ЕД. В 1 КОРОБКЕ | WEIGHT (kg)<br>ВЕС ЗА ЕД. |
|-------------|--------------------|-----------------------------------|---------------------------|
| 60KAD07     | Ø110mm             | 30                                | 0,274                     |

**PERT OKSİJEN BARİYERLİ / PERT OXYGEN BARRIER  
PERT КИСЛОРОДНЫЙ БАРЬЕР**

| CODE<br>КОД | SIZE (Ø)<br>РАЗМЕР | 1 BOX QUANTITY<br>ЕД. В 1 КОРОБКЕ | WEIGHT (kg)<br>ВЕС ЗА ЕД. |
|-------------|--------------------|-----------------------------------|---------------------------|
| 60PERT11    | Ø16mm-2.0mm        | 100 m                             | -                         |
| 60PERT12    | Ø20mm-2.0mm        | 100 m                             | -                         |

**(60mm) EKSANTRİK KADA / OFFSET RIGID WC  
CONNECTOR / ДОПОЛНИТЕЛЬНЫЙ СИФОН**

| CODE<br>КОД | SIZE (Ø)<br>РАЗМЕР | 1 BOX QUANTITY<br>ЕД. В 1 КОРОБКЕ | WEIGHT (kg)<br>ВЕС ЗА ЕД. |
|-------------|--------------------|-----------------------------------|---------------------------|
| 60KAD08     | Ø110mm             | 30                                | 0,304                     |

**PERT KILIFLI / PERT WITH COVER BLUE & RED  
PERT С КРЫШКОЙ СИНИЙ И КРАСНЫЙ**

| CODE<br>КОД | SIZE (Ø)<br>РАЗМЕР | 1 BOX QUANTITY<br>ЕД. В 1 КОРОБКЕ | WEIGHT (kg)<br>ВЕС ЗА ЕД. |
|-------------|--------------------|-----------------------------------|---------------------------|
| 60PERT13    | Ø16mm-2.0mm        | 100 m                             | -                         |
| 60PERT14    | Ø20mm-2.0mm        | 100 m                             | -                         |

**RÖĞAR ÇERÇEVE + KARAK / ROGAR FRAME + COVER  
РАМА + КРЫШКА ROGAR**

| CODE<br>КОД | SIZE (Ø)<br>РАЗМЕР | 1 BOX QUANTITY<br>ЕД. В 1 КОРОБКЕ | WEIGHT (kg)<br>ВЕС ЗА ЕД. |
|-------------|--------------------|-----------------------------------|---------------------------|
| 60RCK02     | 30x30mm            | 10                                | 0,850                     |
| 60RCK04     | 40x40mm            | 10                                | 1,782                     |
| 60RCK08     | 50x50mm            | 5                                 | 2,630                     |
| 60RCK09     | 60x60mm            | 4                                 | 5,668                     |

**ÇERÇEVLİ YUVARLAK DÜZ KARAK  
FRAME ROUND FLAT COVER  
РАМА КРУГЛАЯ ПЛОСКАЯ КРЫШКА**

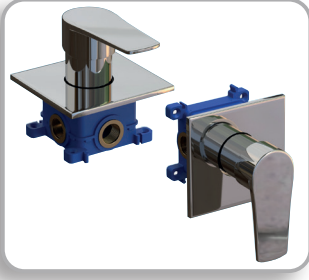
| CODE<br>КОД | SIZE (Ø)<br>РАЗМЕР | 1 BOX QUANTITY<br>ЕД. В 1 КОРОБКЕ | WEIGHT (kg)<br>ВЕС ЗА ЕД. |
|-------------|--------------------|-----------------------------------|---------------------------|
| 60MBK36     | Ø600 mm            | 1                                 | 2,607                     |

**RÖĞAR KARAKLI KUTU / WINDOW LID BOX  
ОКНА КРЫШКИ**

| CODE<br>КОД | SIZE (Ø)<br>РАЗМЕР | 1 BOX QUANTITY<br>ЕД. В 1 КОРОБКЕ | WEIGHT (kg)<br>ВЕС ЗА ЕД. |
|-------------|--------------------|-----------------------------------|---------------------------|
| 60RGA25     | 25x25 mm           | 1                                 | 1,134                     |
| 60RGA35     | 35x35 mm           | 1                                 | 2,738                     |

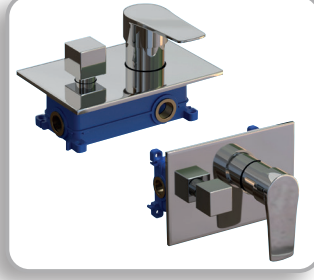
**TAHARAT BAŞLIĞI + HORTUM  
COOLING HEAD + HOSE  
ОХЛАЖДАЮЩАЯ ГОЛОВКА + ШЛАНГ**

| CODE<br>КОД | SIZE (Ø)<br>РАЗМЕР | 1 BOX QUANTITY<br>ЕД. В 1 КОРОБКЕ | WEIGHT (kg)<br>ВЕС ЗА ЕД. |
|-------------|--------------------|-----------------------------------|---------------------------|
| 60TAH10     | One Size           | 1                                 | 0,285                     |
| 60TAH50     | One Size           | 1                                 | 0,285                     |



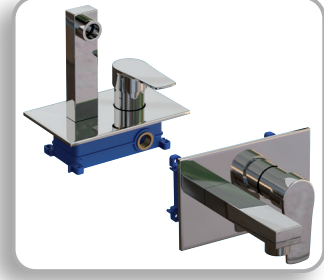
**PRİNÇ 2 GİRİŞ 1 ÇIKIŞ ANKASTRE BANYO BATARYASI / BRASS 2 IN 1 OUT BATTERY CONNECTION**

| CODE KOĐ | SIZE (Ø) PA3MEP | KARTUŞ ÇAP CARTRIDGE DIAMETER | KANAL KALINLIK TUNNEL DIAMETER |
|----------|-----------------|-------------------------------|--------------------------------|
| 4429420  | 1/2"            | 45 mm                         | 13 mm                          |



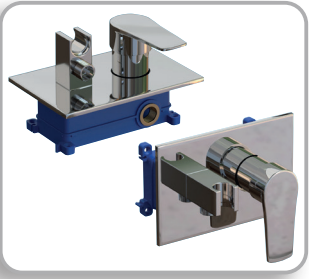
**PRİNÇ 2 GİRİŞ 2 ÇIKIŞ ANKASTRE BANYO BATARYASI / BRASS 2 IN 2 OUT BATTERY CONNECTION**

| CODE KOĐ | SIZE (Ø) PA3MEP | KARTUŞ ÇAP CARTRIDGE DIAMETER | KANAL KALINLIK TUNNEL DIAMETER |
|----------|-----------------|-------------------------------|--------------------------------|
| 4429520  | 1/2"            | 40 mm                         | 13 mm                          |



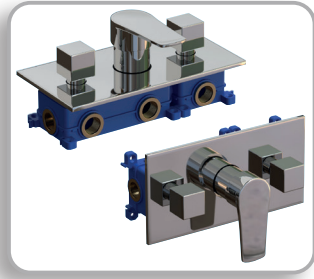
**PRİNÇ 2 GİRİŞ 1 ÇIKIŞ ANKASTRE BANYO BATARYASI / BRASS 2 IN 1 OUT BATTERY CONNECTION**

| CODE KOĐ | SIZE (Ø) PA3MEP | KARTUŞ ÇAP CARTRIDGE DIAMETER | KANAL KALINLIK TUNNEL DIAMETER |
|----------|-----------------|-------------------------------|--------------------------------|
| 4429620  | 1/2"            | 47 mm                         | 13 mm                          |



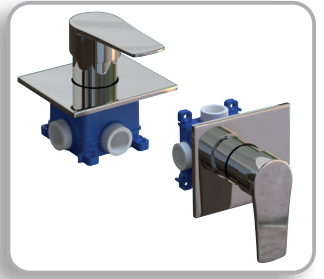
**PRİNÇ 2 GİRİŞ 1 ÇIKIŞ ANKASTRE BANYO BATARYASI / BRASS 2 IN 1 OUT BATTERY CONNECTION**

| CODE KOĐ | SIZE (Ø) PA3MEP | KARTUŞ ÇAP CARTRIDGE DIAMETER | KANAL KALINLIK TUNNEL DIAMETER |
|----------|-----------------|-------------------------------|--------------------------------|
| 4429720  | 1/2"            | 47 mm                         | 13 mm                          |



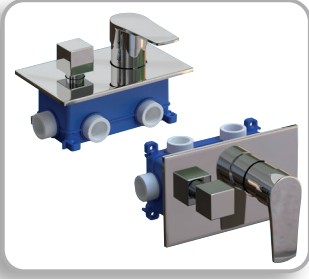
**PRİNÇ 3 GİRİŞ 3 ÇIKIŞ ANKASTRE BANYO BATARYASI / BRASS 3 IN 3 OUT BATTERY CONNECTION**

| CODE KOĐ | SIZE (Ø) PA3MEP | KARTUŞ ÇAP CARTRIDGE DIAMETER | KANAL KALINLIK TUNNEL DIAMETER |
|----------|-----------------|-------------------------------|--------------------------------|
| 4429820  | 1/2"            | 45 mm                         | 13 mm                          |



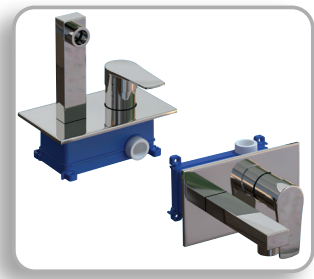
**PPR-C 2 GİRİŞ 1 ÇIKIŞ ANKASTRE BANYO BATARYASI / PPR-C 2 IN 1 OUT BATTERY CONNECTION**

| CODE KOĐ | SIZE (Ø) PA3MEP | KARTUŞ ÇAP CARTRIDGE DIAMETER | KANAL KALINLIK TUNNEL DIAMETER |
|----------|-----------------|-------------------------------|--------------------------------|
| 4429925  | 1/2"            | 45 mm                         | 17 mm                          |



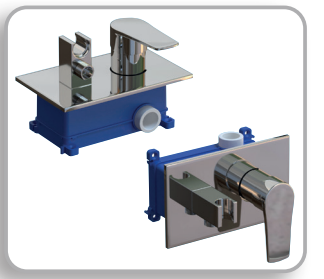
**PPR-C 2 GİRİŞ 3 ÇIKIŞ ANKASTRE BANYO BATARYASI / PPR-C 2 IN 3 OUT BATTERY CONNECTION**

| CODE KOĐ | SIZE (Ø) PA3MEP | KARTUŞ ÇAP CARTRIDGE DIAMETER | KANAL KALINLIK TUNNEL DIAMETER |
|----------|-----------------|-------------------------------|--------------------------------|
| 4430025  | 25mm            | 45 mm                         | 17 mm                          |



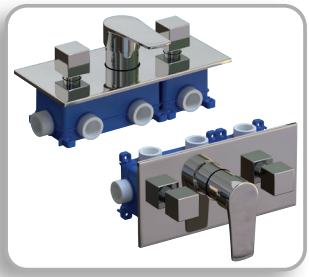
**PPR-C 2 GİRİŞ 1 ÇIKIŞ ANKASTRE BANYO BATARYASI / PPR-C 2 IN 1 OUT BATTERY CONNECTION**

| CODE KOĐ | SIZE (Ø) PA3MEP | KARTUŞ ÇAP CARTRIDGE DIAMETER | KANAL KALINLIK TUNNEL DIAMETER |
|----------|-----------------|-------------------------------|--------------------------------|
| 4430125  | 25mm            | 45 mm                         | 17 mm                          |



**PPR-C 2 GİRİŞ 1 ÇIKIŞ ANKASTRE BANYO BATARYASI / PPR-C 2 IN 1 OUT BATTERY CONNECTION**

| CODE KOĐ | SIZE (Ø) PA3MEP | KARTUŞ ÇAP CARTRIDGE DIAMETER | KANAL KALINLIK TUNNEL DIAMETER |
|----------|-----------------|-------------------------------|--------------------------------|
| 4430225  | 25mm            | 45 mm                         | 17 mm                          |

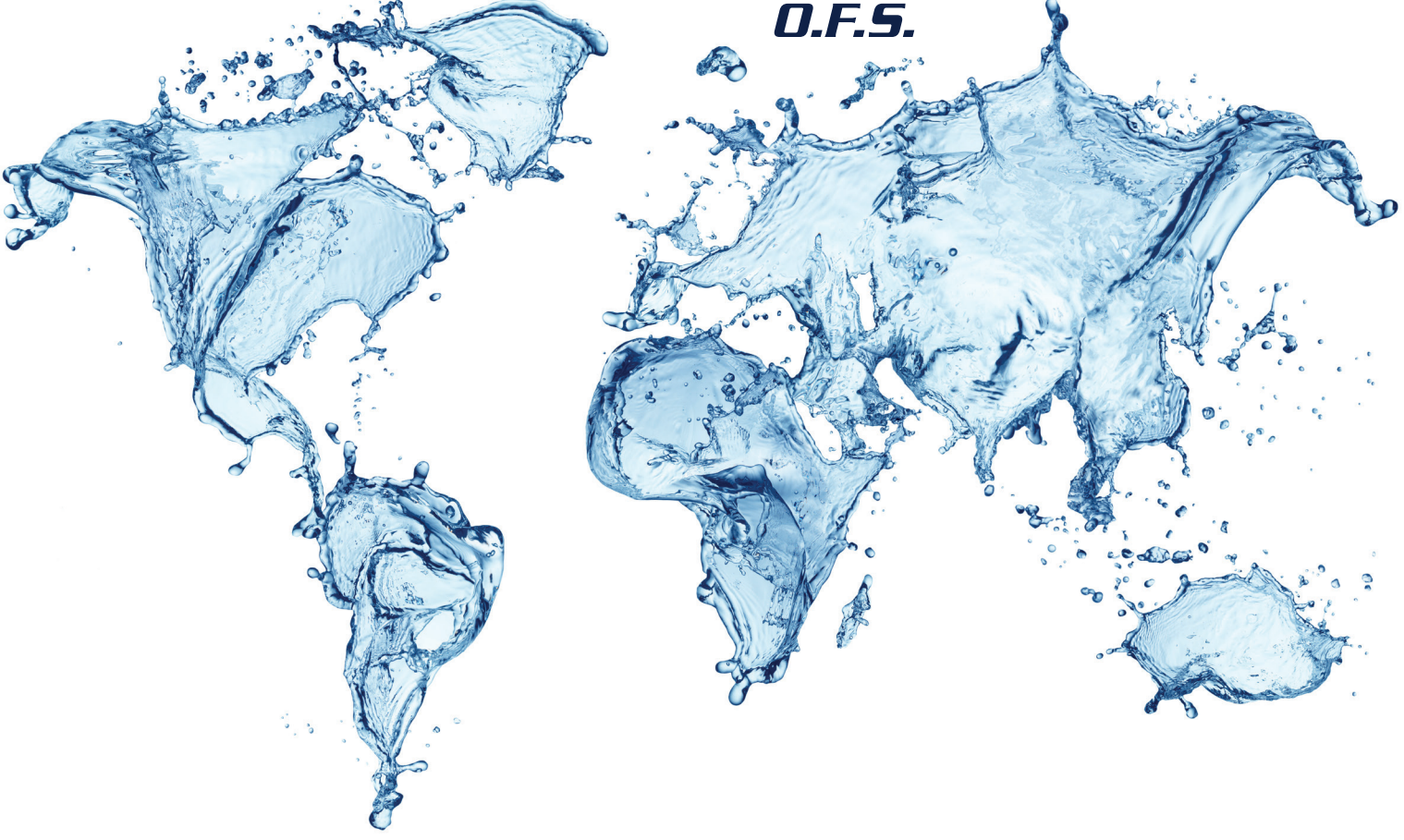


**PPR-C 3 GİRİŞ 3 ÇIKIŞ ANKASTRE BANYO BATARYASI / PPR-C 3 IN 3 OUT BATTERY CONNECTION**

| CODE KOĐ | SIZE (Ø) PA3MEP | KARTUŞ ÇAP CARTRIDGE DIAMETER | KANAL KALINLIK TUNNEL DIAMETER |
|----------|-----------------|-------------------------------|--------------------------------|
| 4430325  | 25mm            | 45 mm                         | 17 mm                          |



# **Onur<sup>®</sup>** **Plastik** **O.F.S.**



***“Türkiye’nin Onuru... Onur Plastik”***  
***50 Years Warranty***

**Tel: +90 212 541 01 86**  
**Fax: +90 212 541 01 87**  
**E-mail: [onurplastik@onurpipe.com](mailto:onurplastik@onurpipe.com)**  
**[www.onurpipe.com](http://www.onurpipe.com)**

